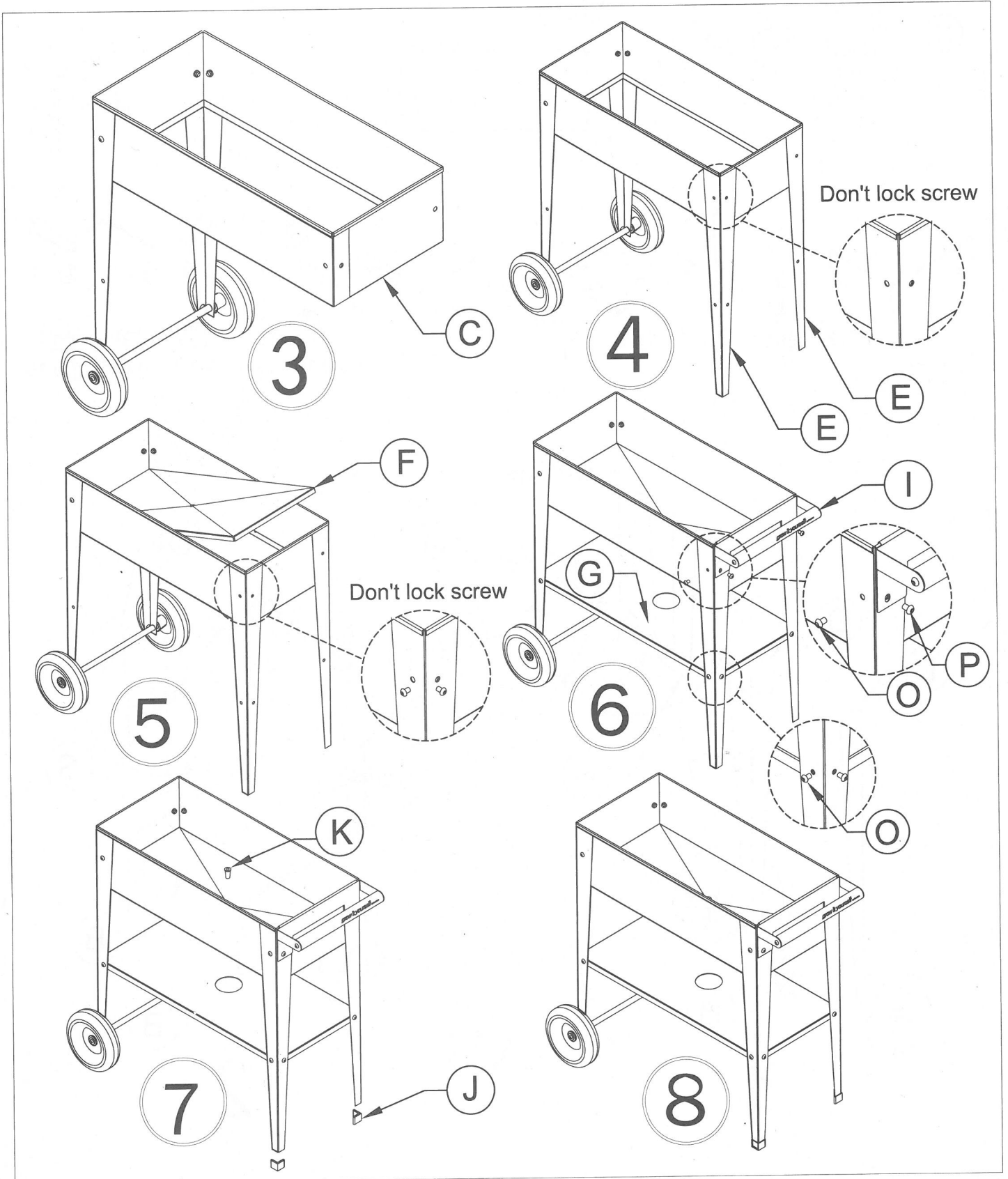




# instructions

- 1, firstly, have (L) inserted in (H), and then screw with (P) and (Q);
- 2, the (O) and (P) are different;
- 3, the (Q) and (R) are different;



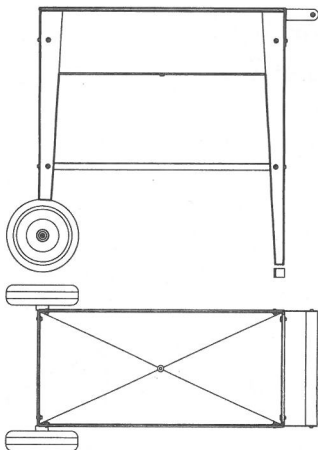
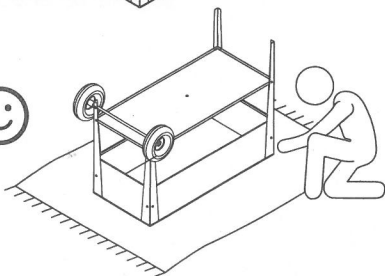
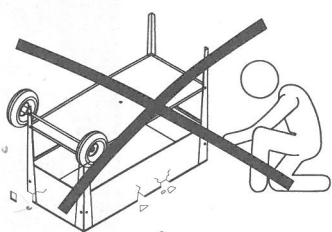
■ 75\*35\*80cm

■ 75\*35\*65cm

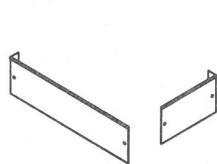
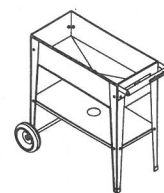
**Herstera Garden S.L.**

Barcelona, Spain

[www.herstergarden.com](http://www.herstergarden.com)



herstera



B x2

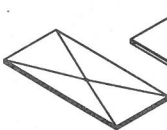
C x2



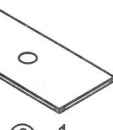
D x2



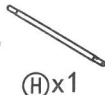
E x2



F x1



G x1



H x1



I x1



J x2



K x1



L x2



M x1



N x1



O x16



P x2



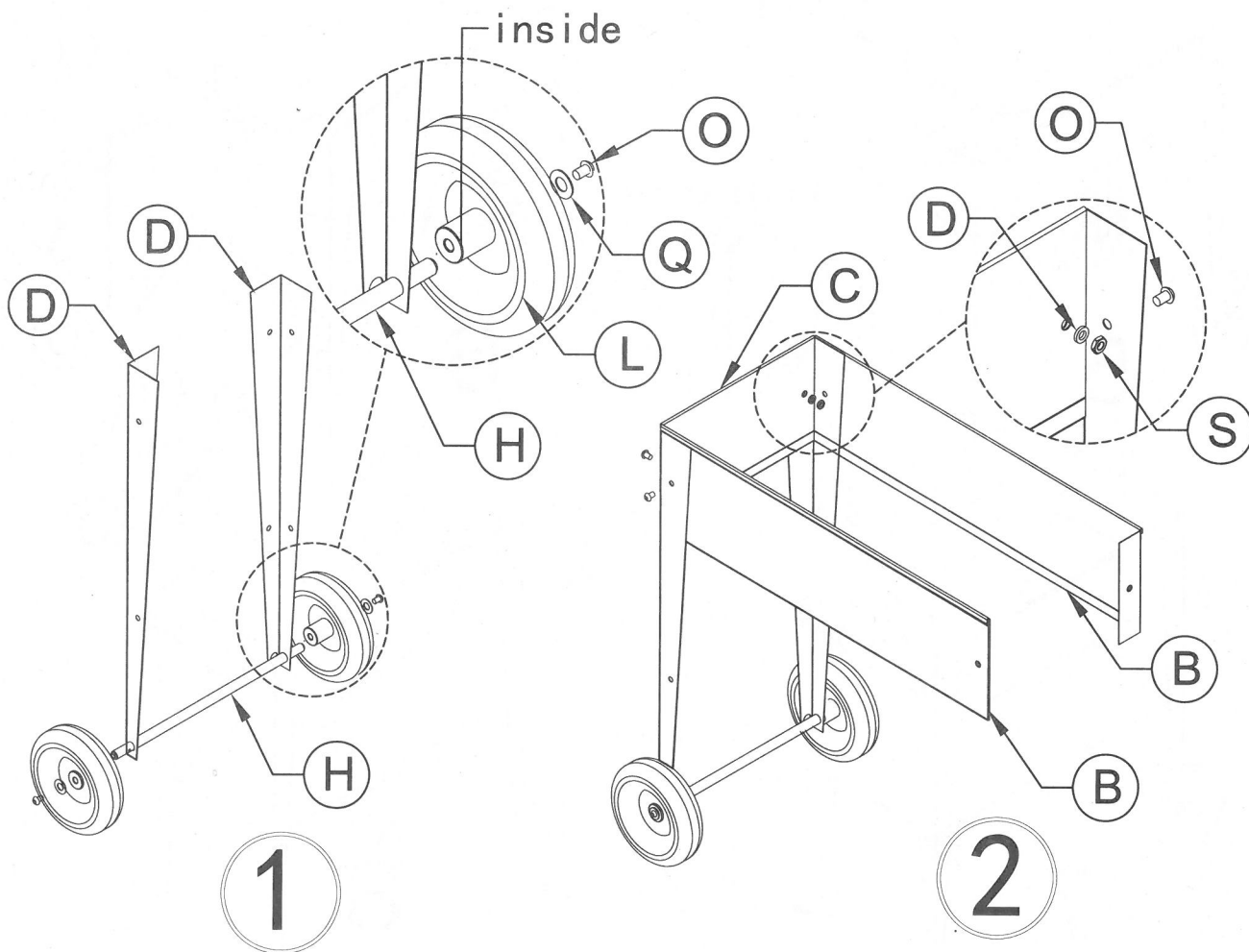
Q x2



R x16



S x16



■ 75\*35\*80cm

■ 75\*35\*65cm

**Herstera Garden S.L.**

Barcelona, Spain

[www.herstergarden.com](http://www.herstergarden.com)