

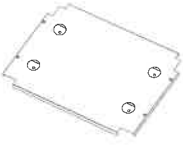










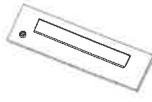








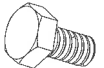




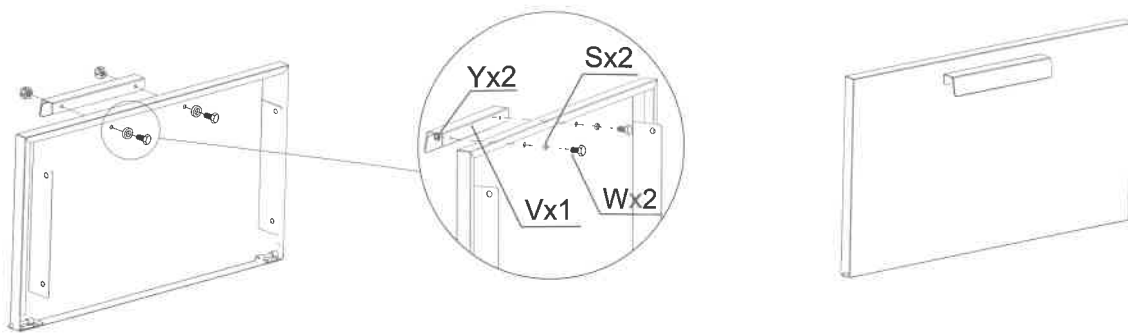
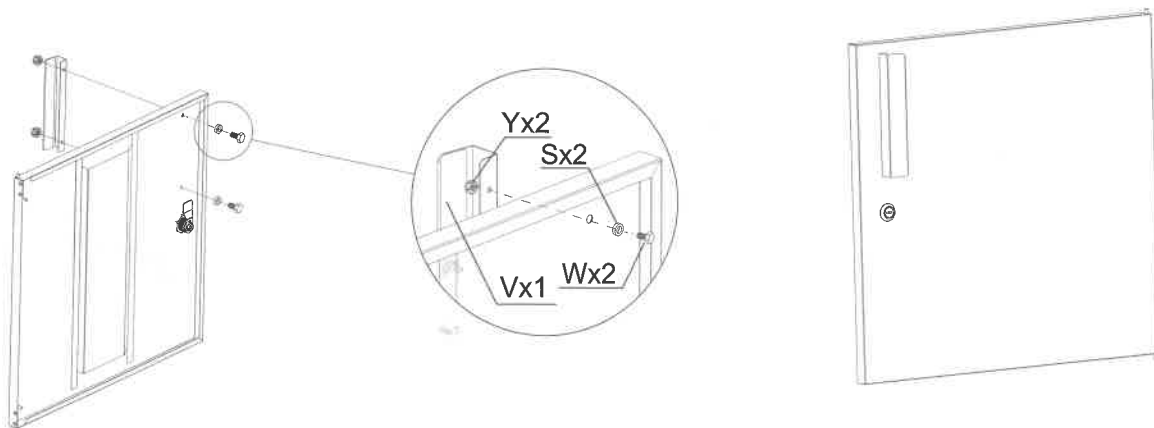


Ax1 	Bx1 	Cx1 	Dx1 	Ex1 	
Fx1 	Gx1 	Hx1 	Ix1 	Jx1 	
Kx1 	Lx1 	Mx1 	Nx1 	Ox1 	Px1 
Qx1 	Rx32  M4x10mm	Sx8  φ7*2mm	Tx4  M4x16mm	Ux4 	Vx2 
Wx4  M4x8mm	Xx2  φ7*7mm	Yx4  M4	Zx1 	<b>SPARE PART</b>  X2      X2      X2      X2	

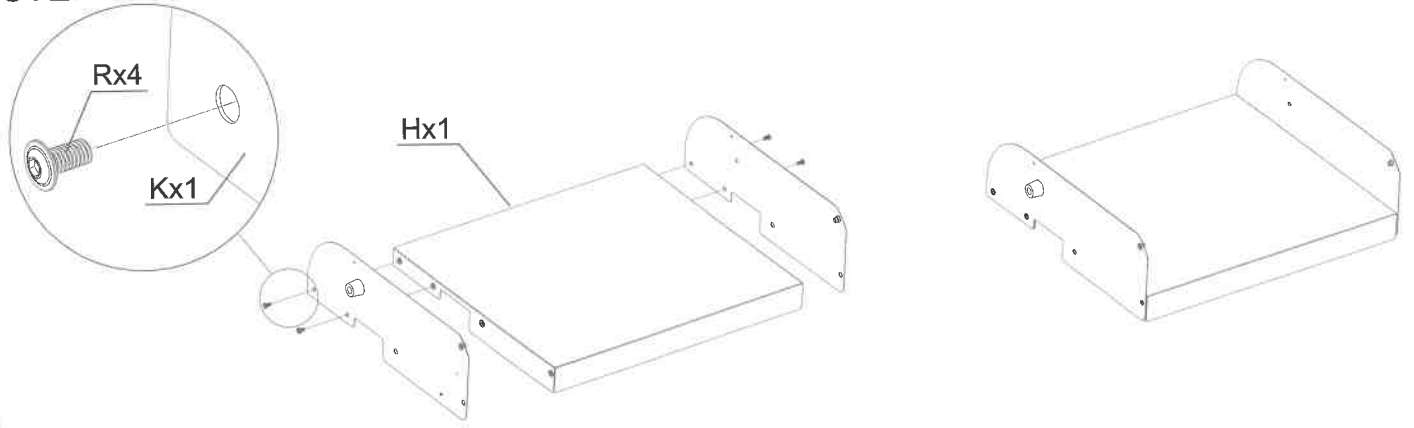
STEP 1



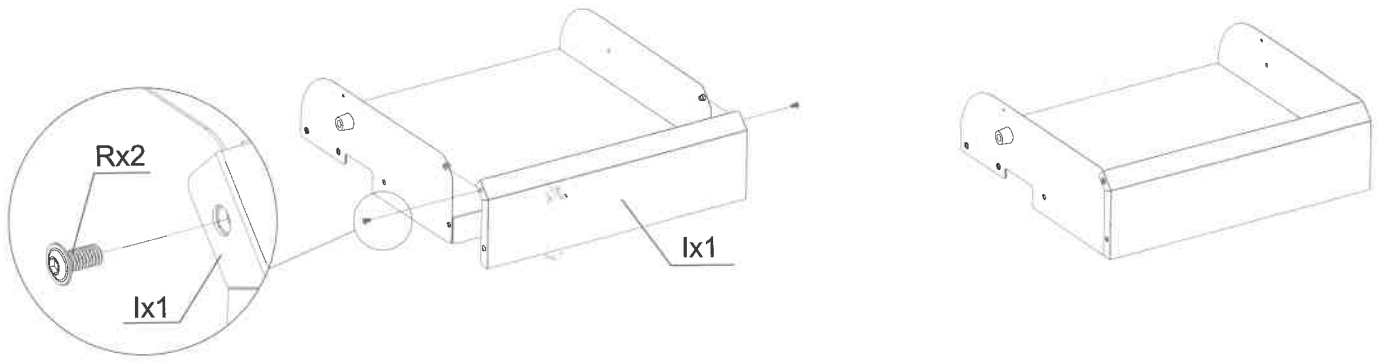
STEP 2



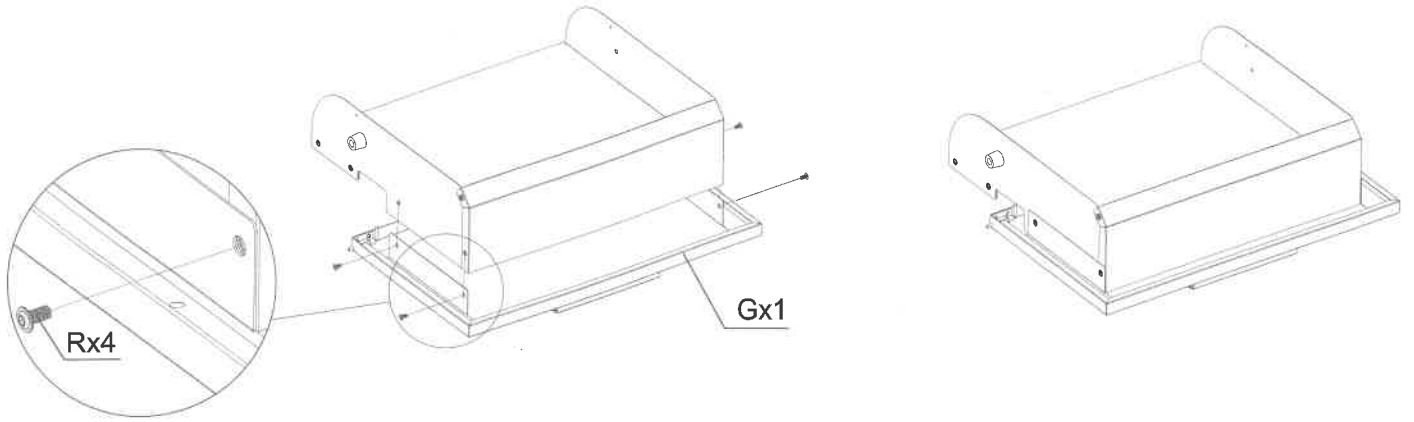
STEP 3



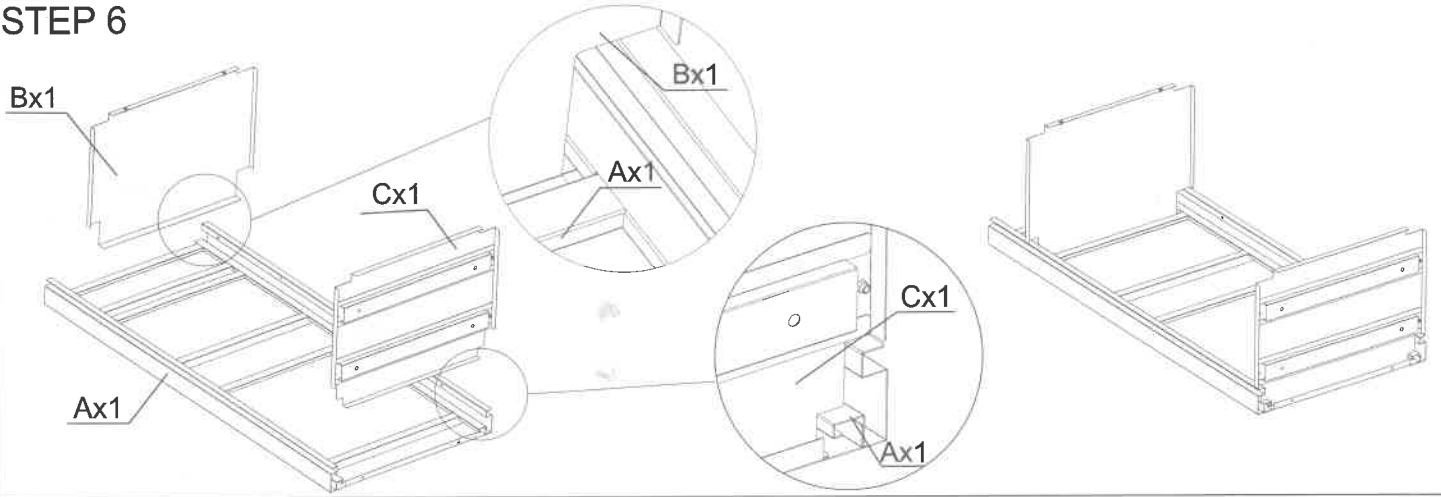
STEP 4



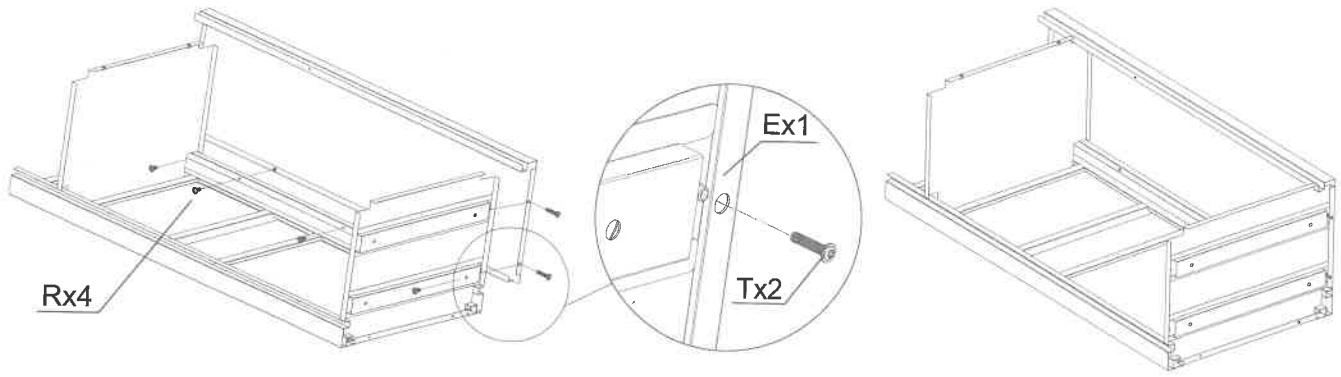
STEP 5



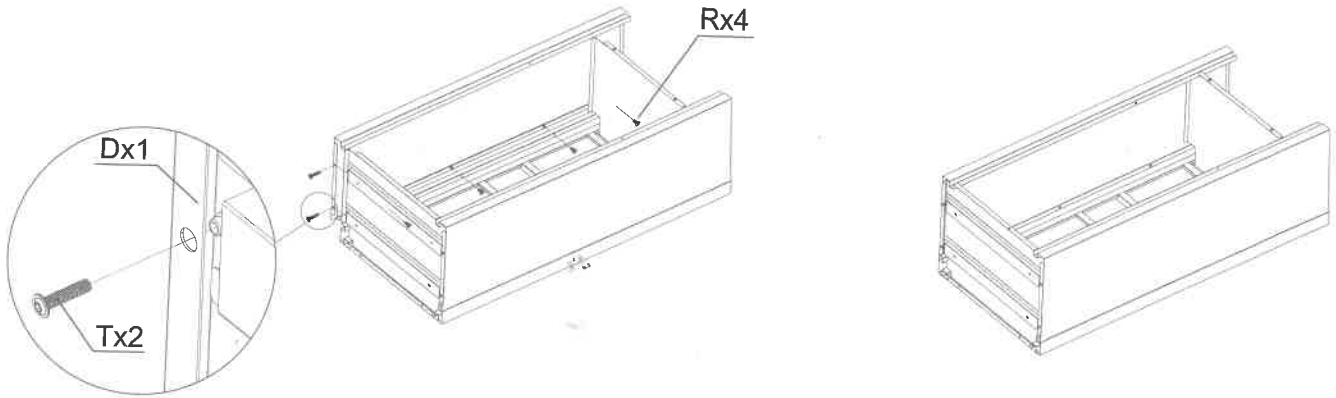
STEP 6



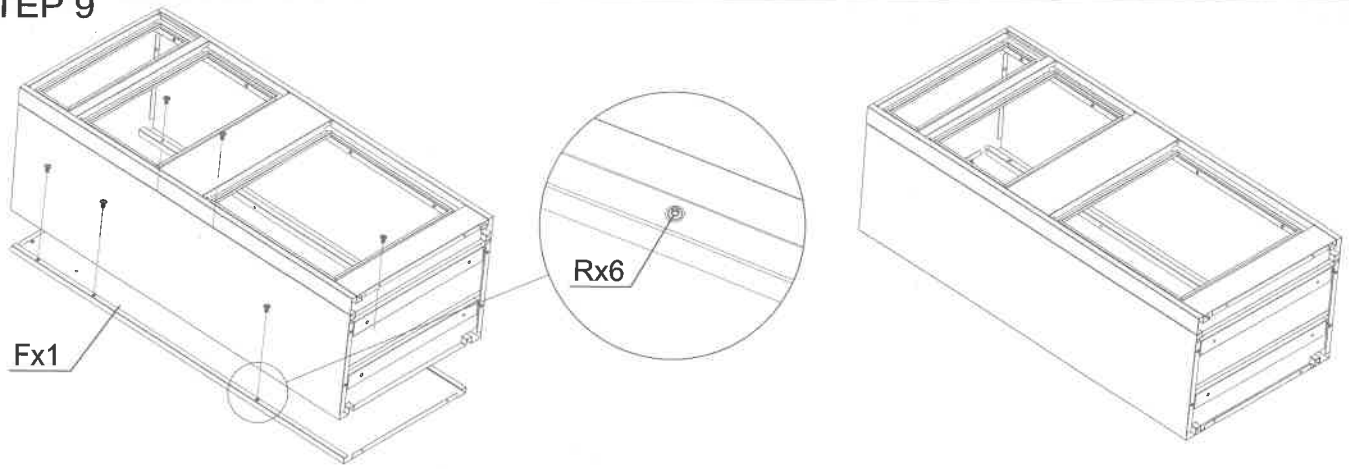
# STEP 7



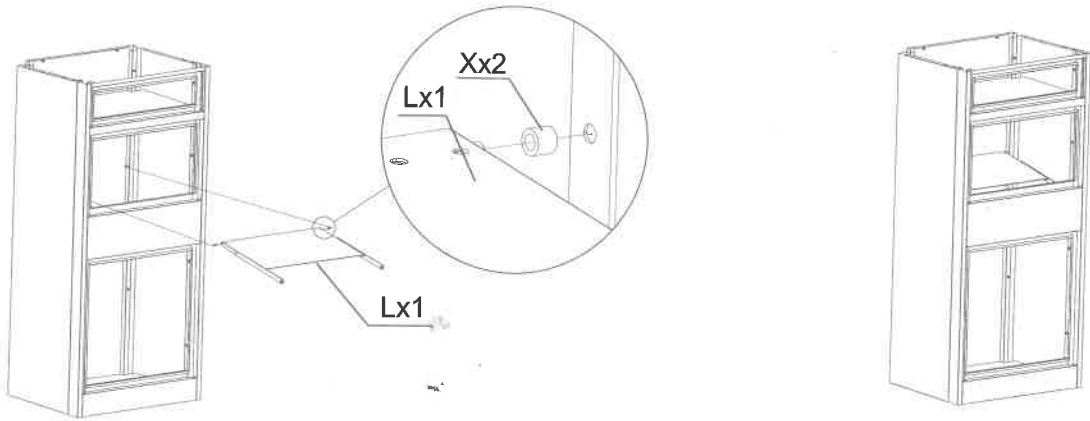
# STEP 8



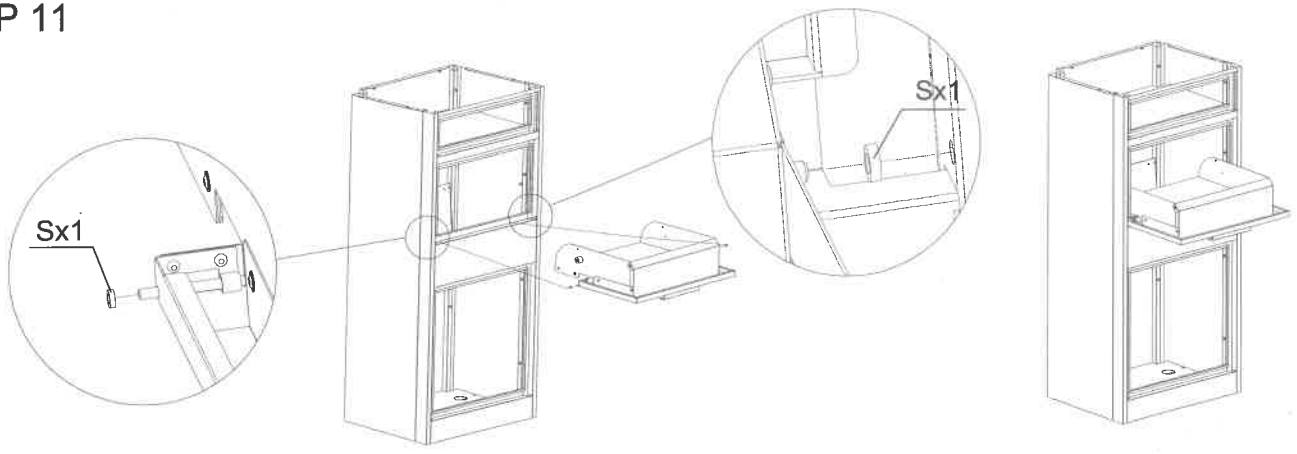
STEP 9



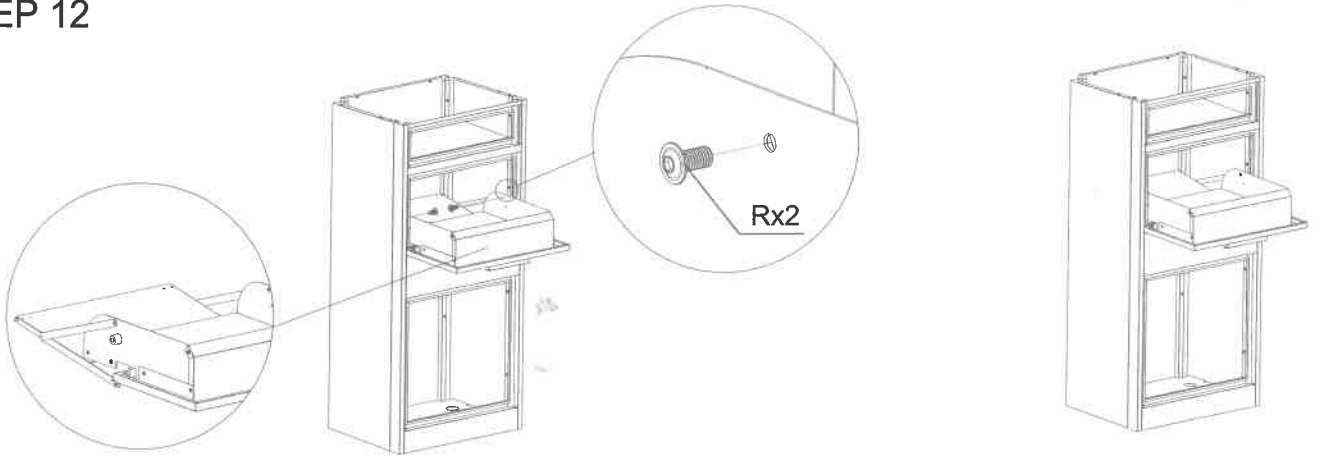
STEP 10



STEP 11

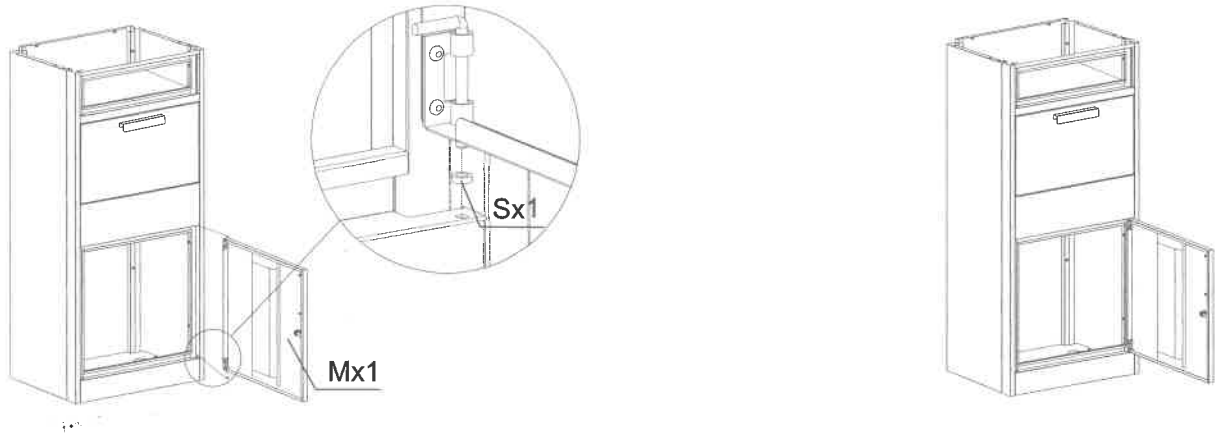


STEP 12

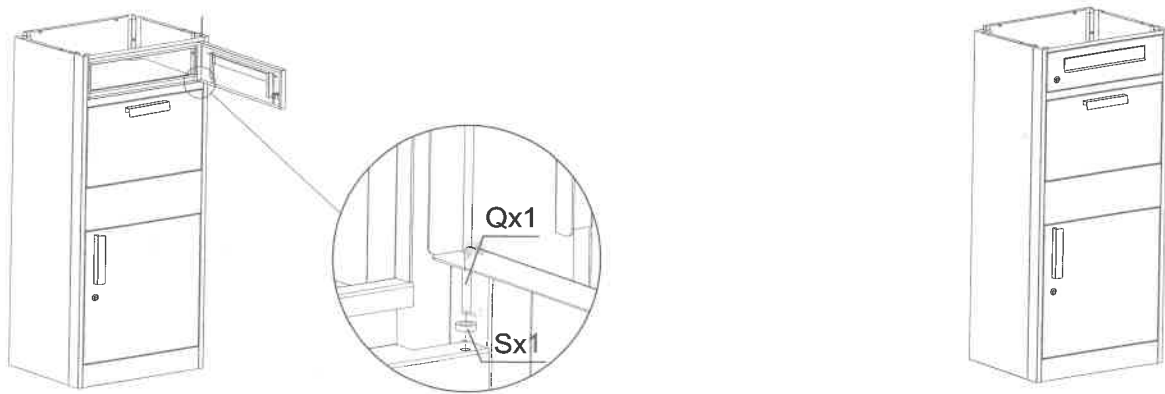




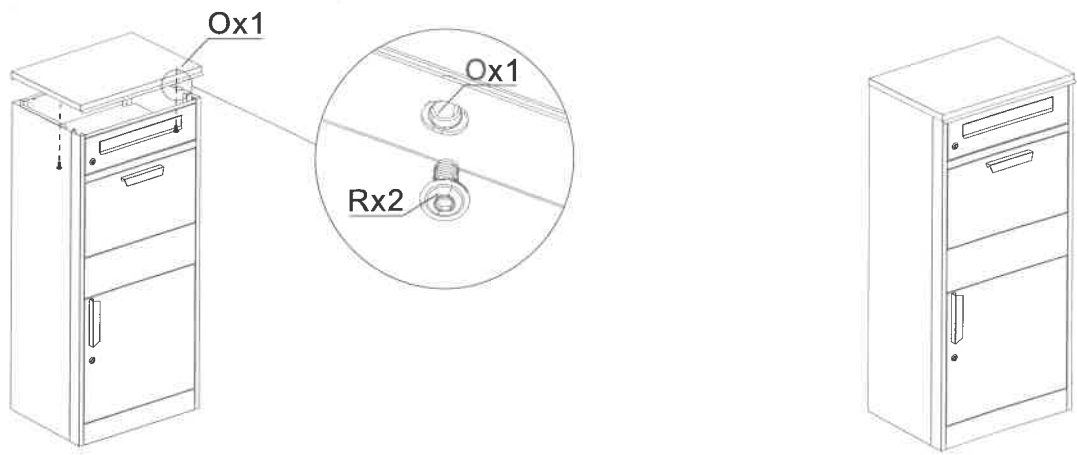
STEP 13



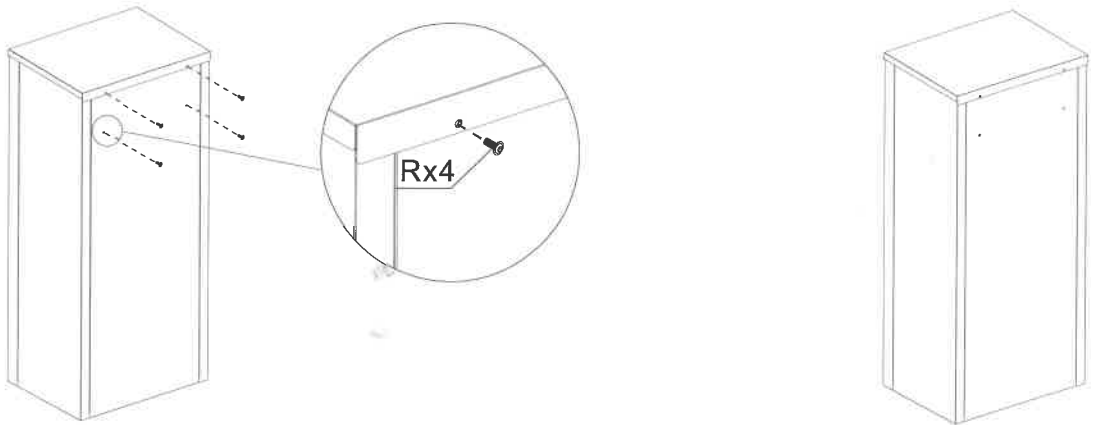
STEP 14



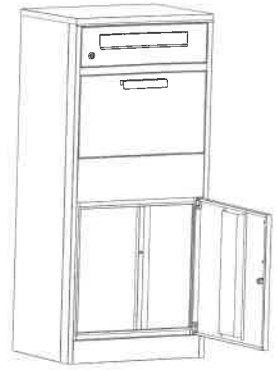
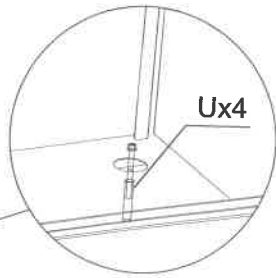
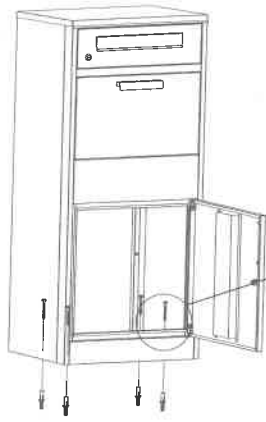
STEP15



STEP16



STEP 17



STEP 18

