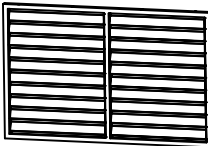


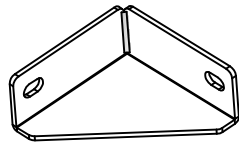
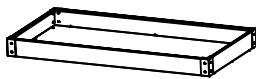
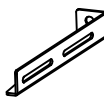
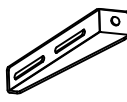





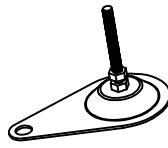
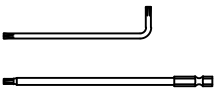
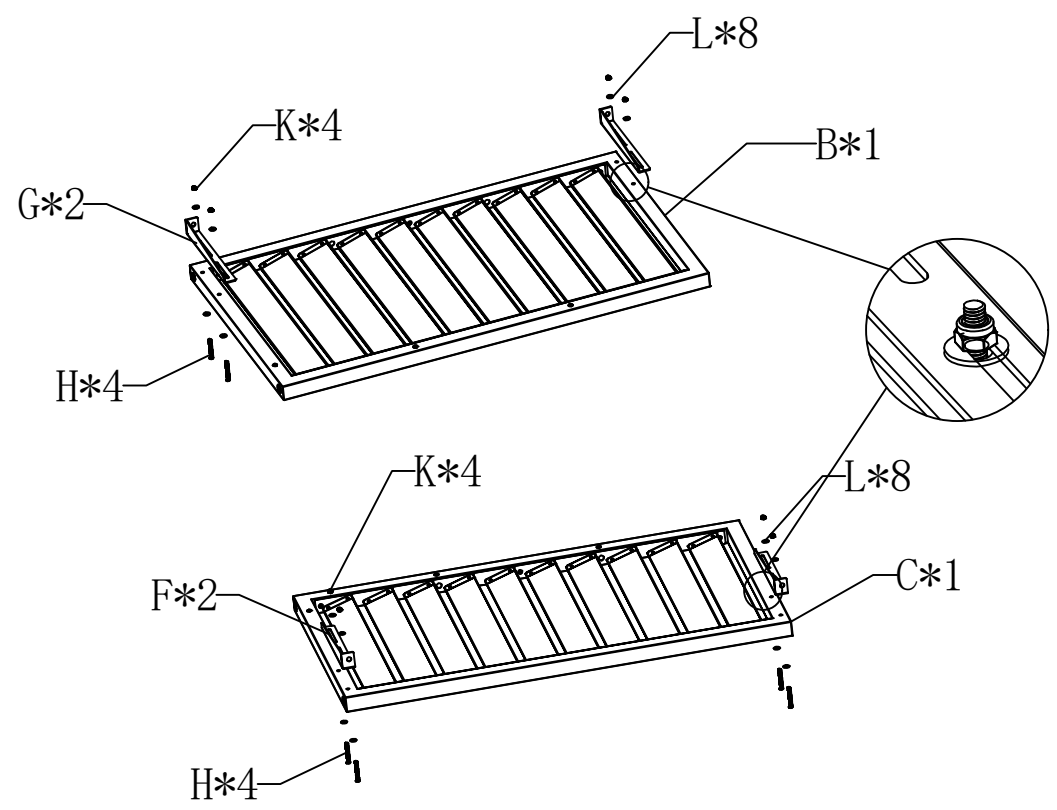
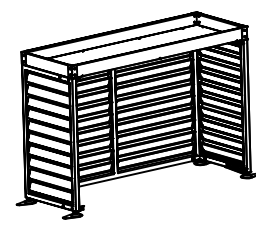
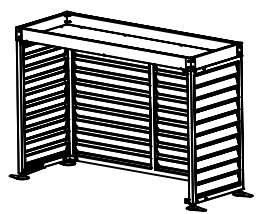
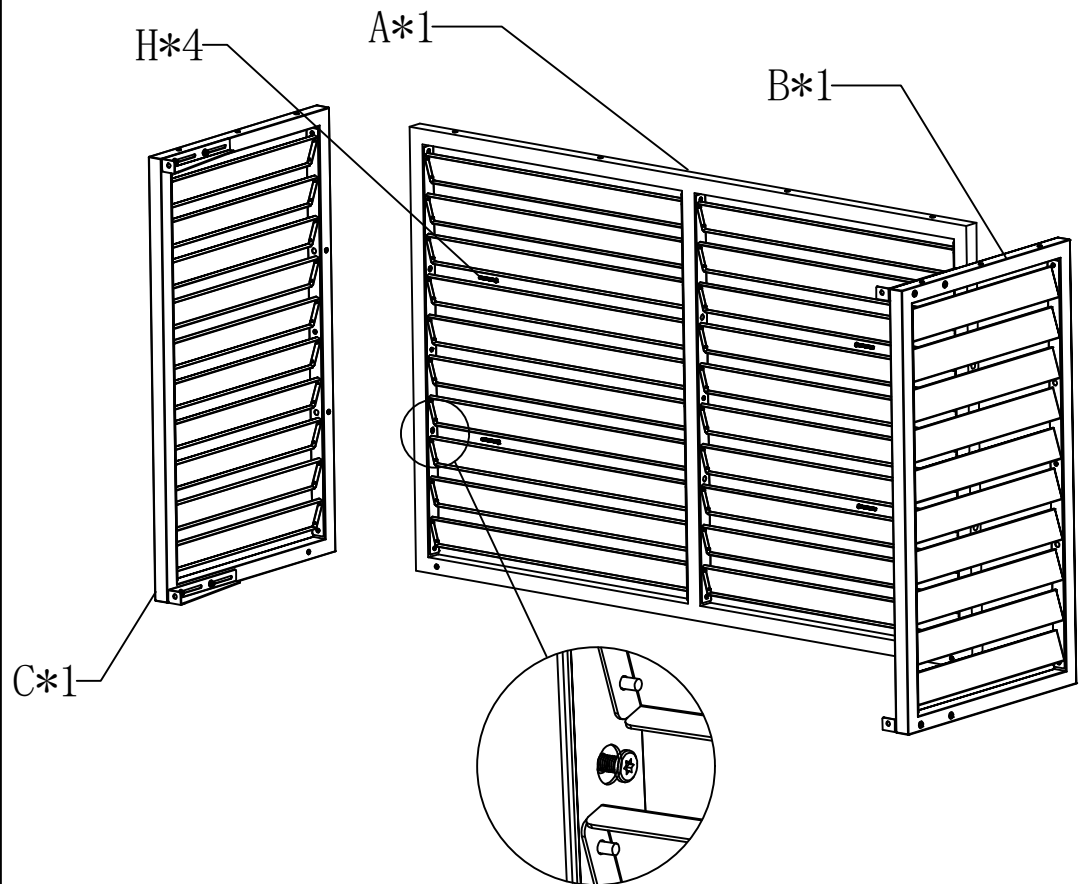
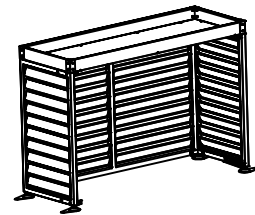
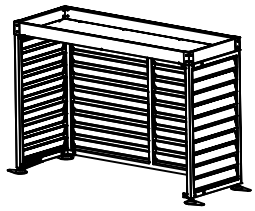


<p>A*1</p> 	<p>B*1</p> 	<p>C*1</p> 	<p>D*2</p> 	
<p>E*1</p> 	<p>F*2</p> 	<p>G*2</p> 	<p>H*12</p>  <p>M4*40</p>	<p>I*14</p>  <p>M4*10</p>
<p>J*4</p>  <p>M6*60</p>	<p>K*8</p> 	<p>L*16</p> 	<p>M*4</p> 	<p>N*1</p> 

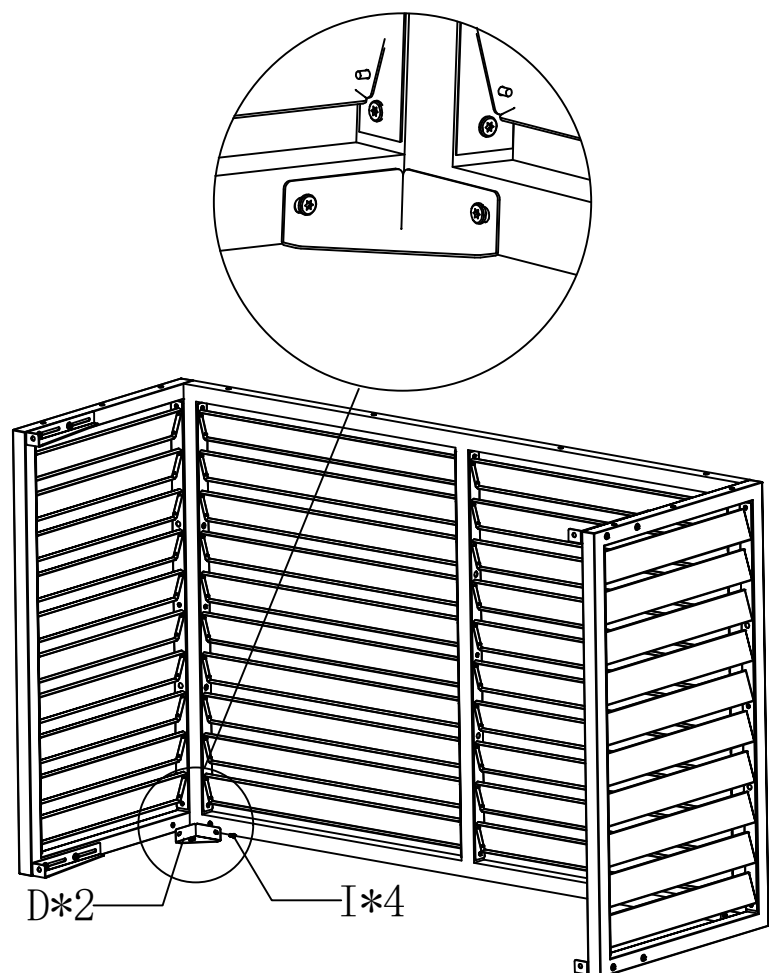
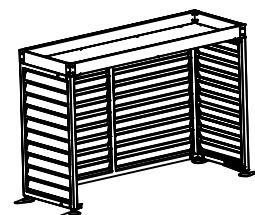
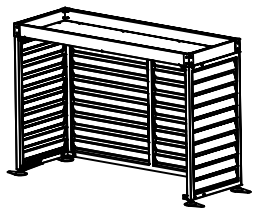
STEP 1



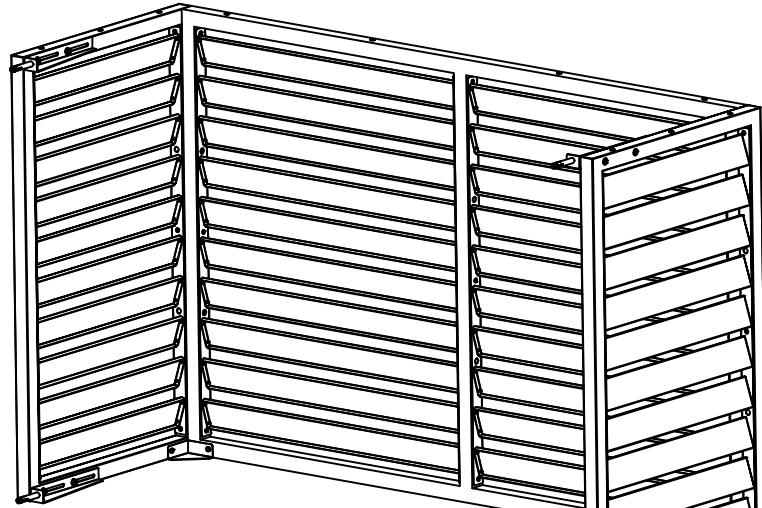
# STEP 2



# STEP 3

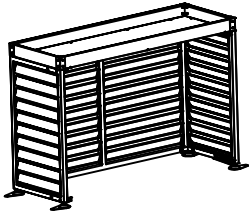
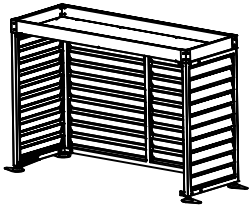
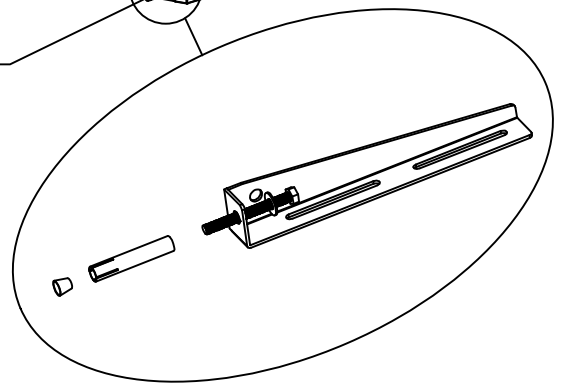
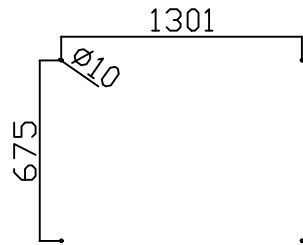


# STEP 4-Fix on the wall

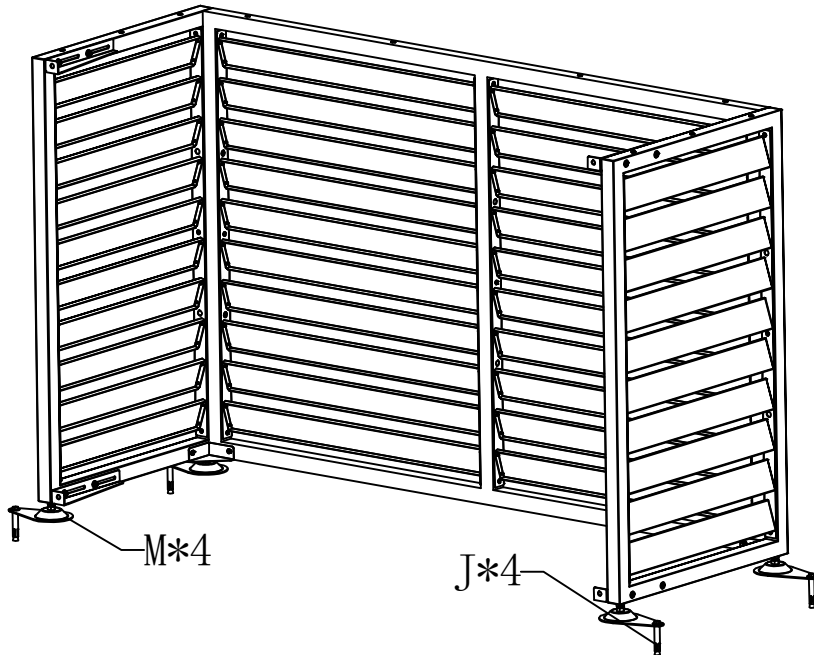


hole size

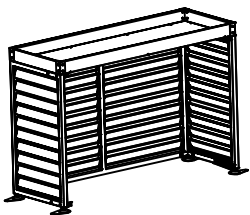
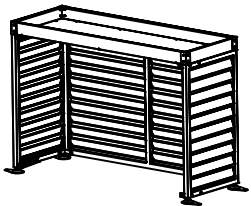
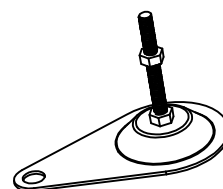
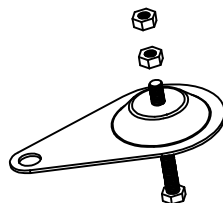
J\*4



# STEP 4-Install on the ground



Adjustable foot assembly



STEP 5

