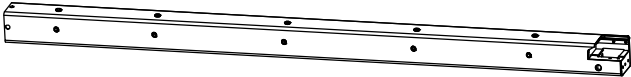
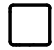
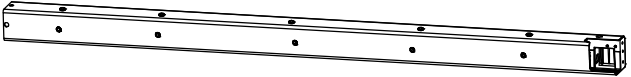
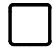
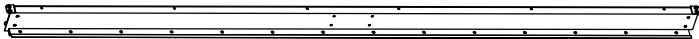











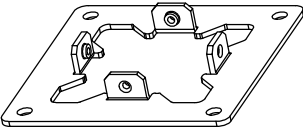
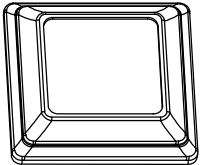
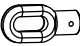
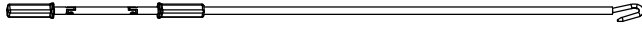
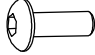
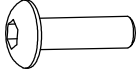
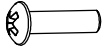
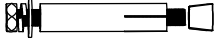






IM FOR GAL101

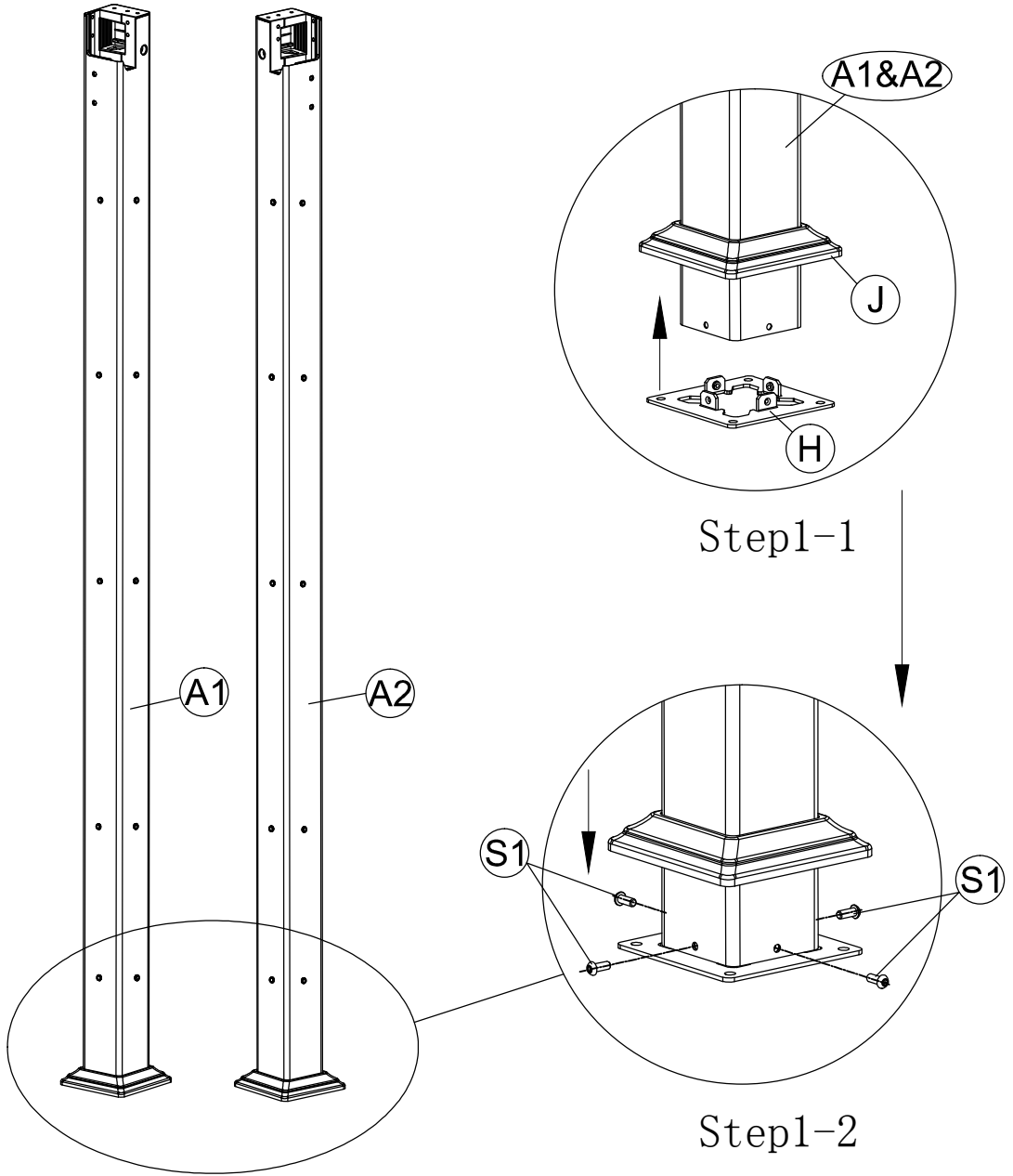
3.6*3.5*2.3M

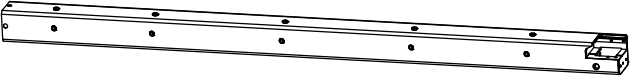

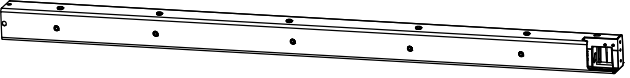
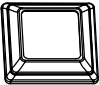
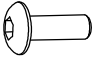


REF	PCE	PIECE		QTY	DIM
	A1			2	
	A2			2	
	B			2	
	C1			1	
	C2			1	
	D			1	
	F			76	
	G			2	
	H			4	
	J			4	
	L			2	

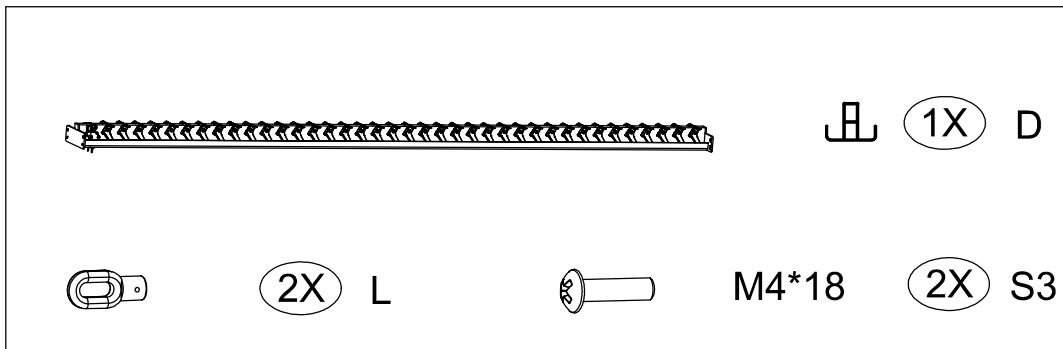
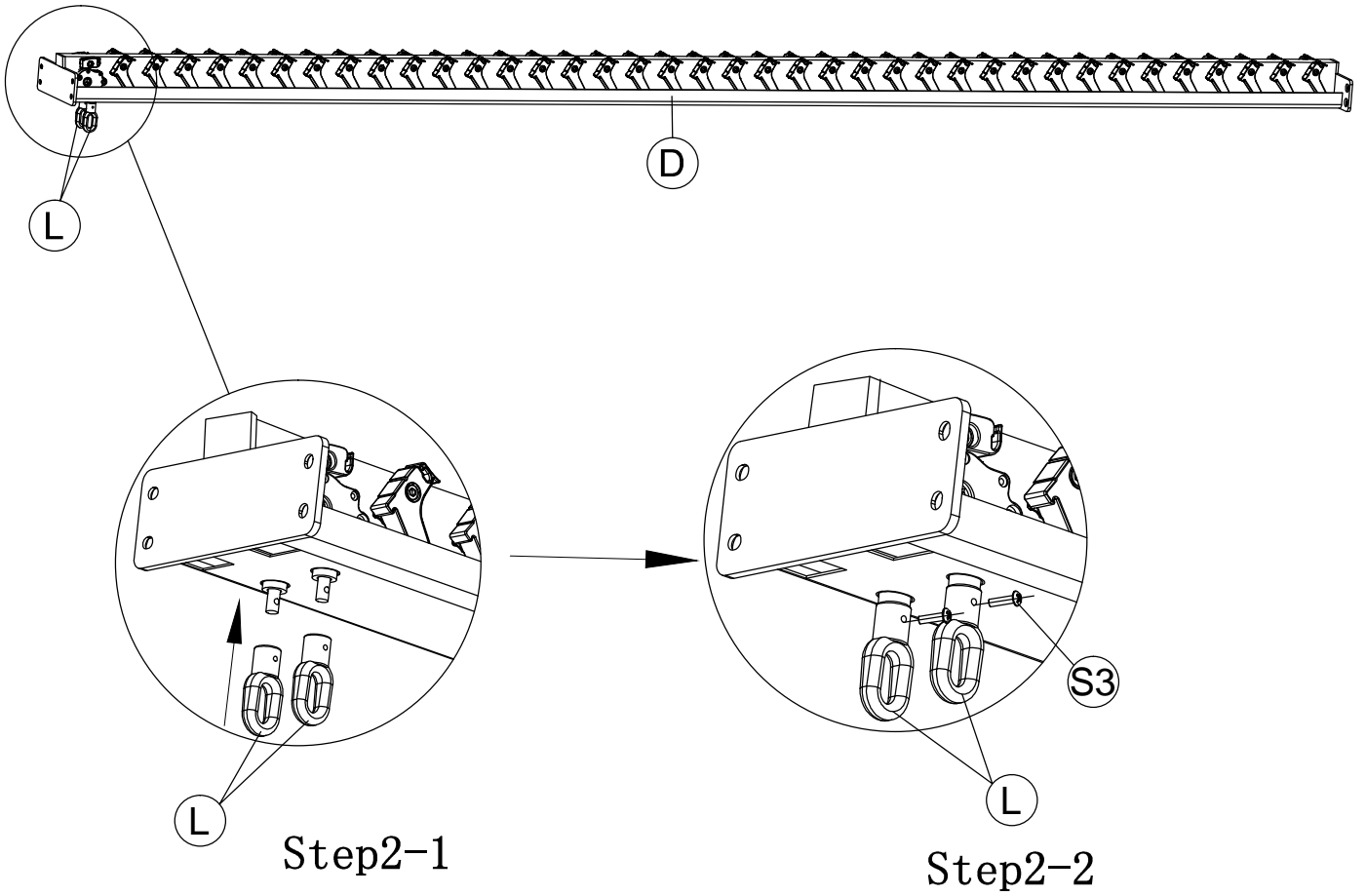
REF	PCE	PIECE	QTY	DIM
	R		1	
	S1	 M6*15	22+2	
	S2	 M8*20	36+2	
	S3	 M4*18	2	
	S4		8+1	
	T1		2	
	T2		1	
	T3		1	
		 Silicone neutral glass glue, purchased by customers		

STEP 01

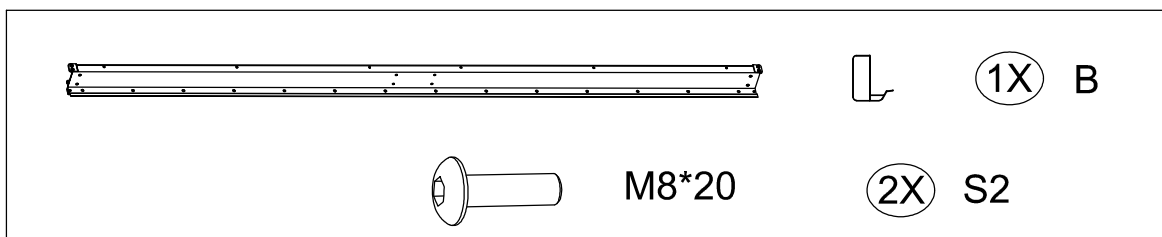
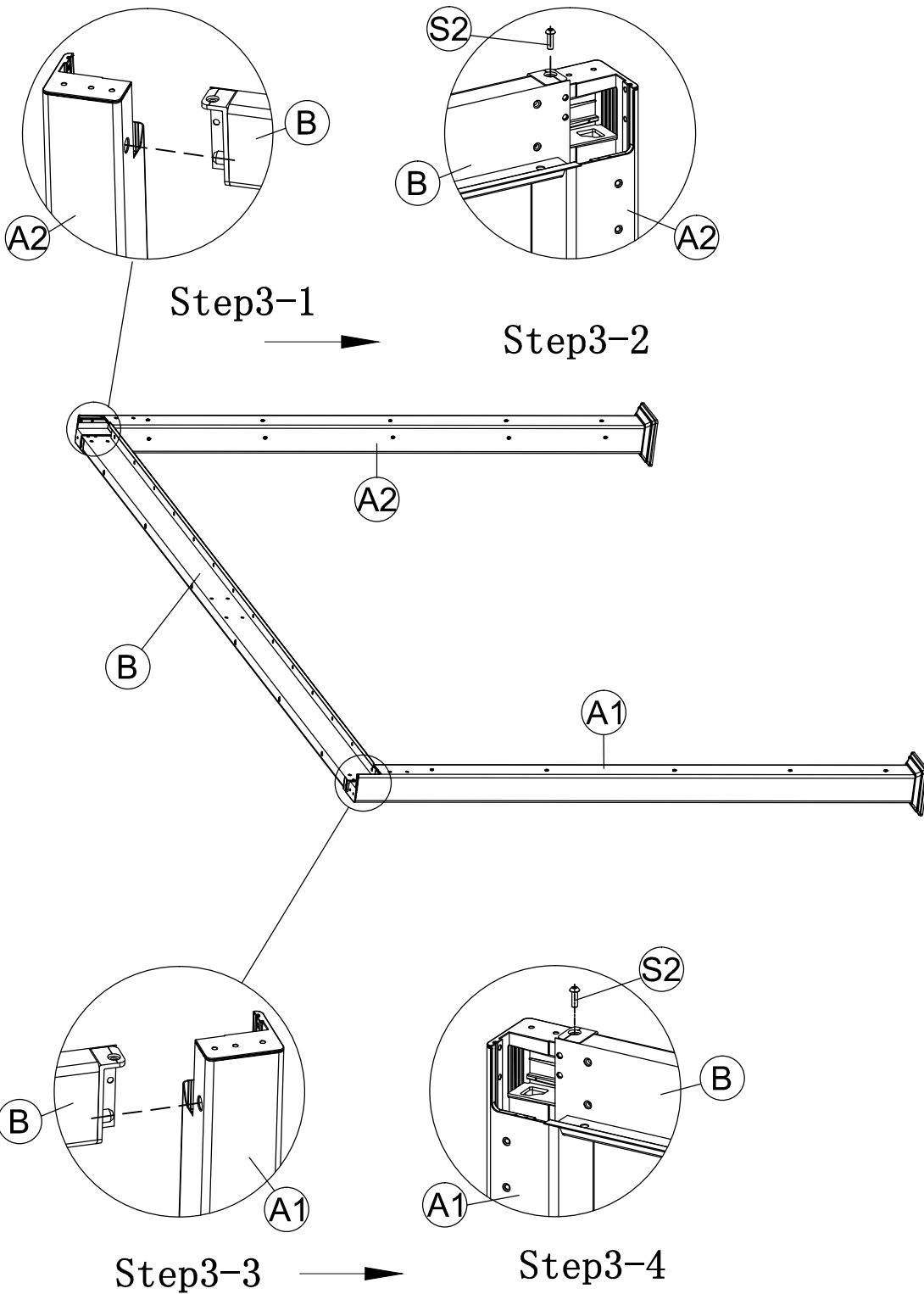


- | | | | |
|---|----------------------------------|---|--------|
|  | <input type="checkbox"/> (2X) A1 |  | (4X) H |
|  | <input type="checkbox"/> (2X) A2 |  | (4X) J |
|  | M6*15 | (16X) S1 | |

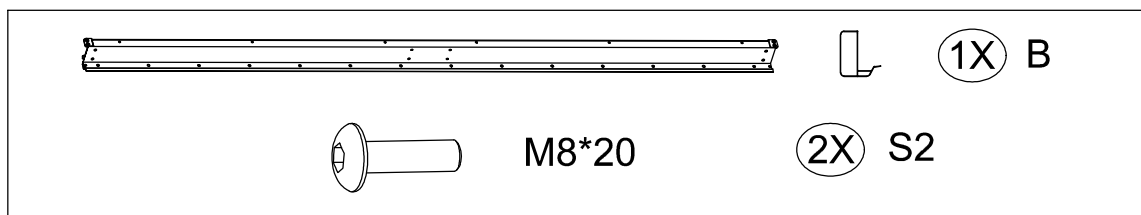
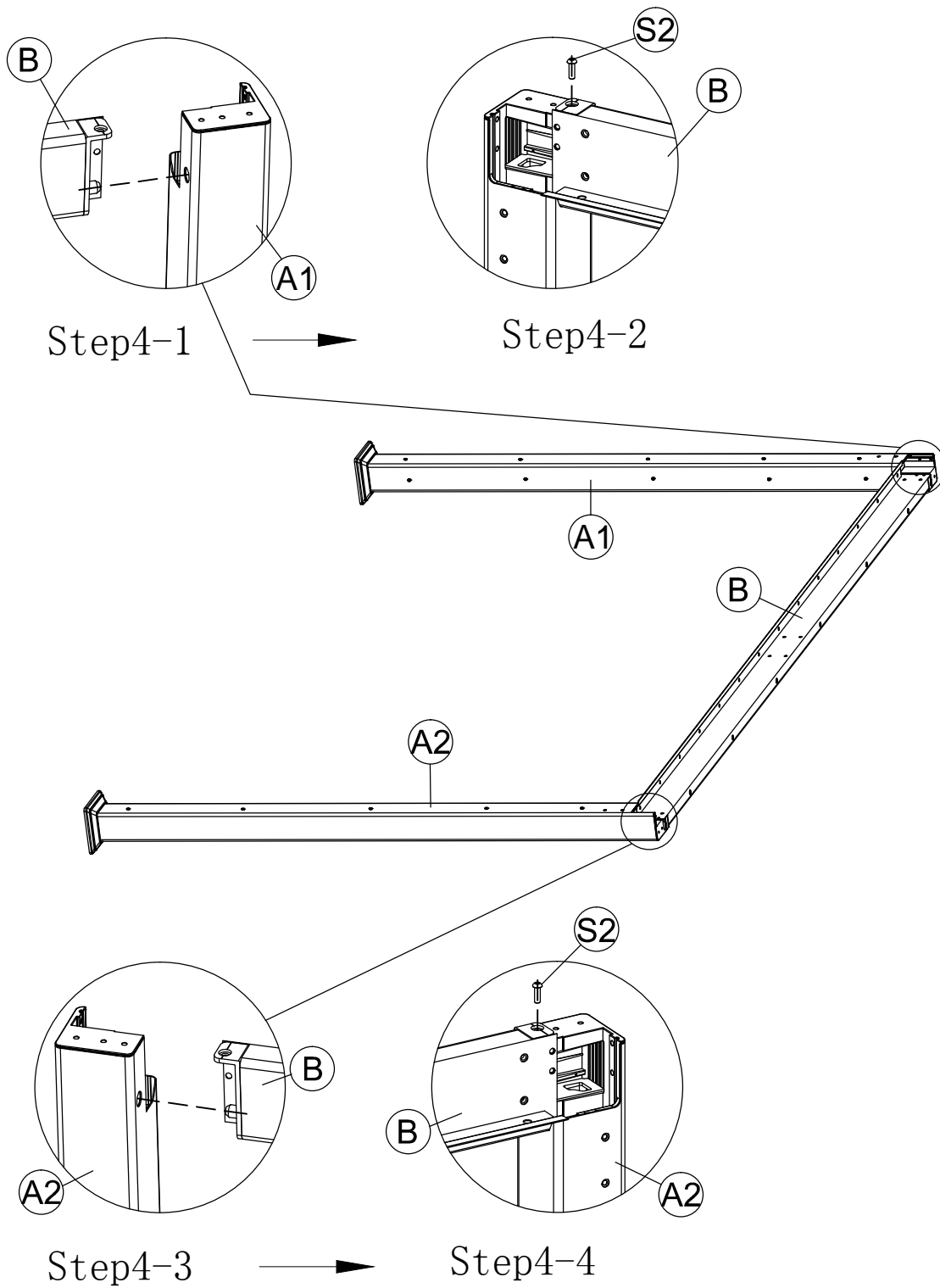
STEP 02



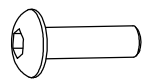
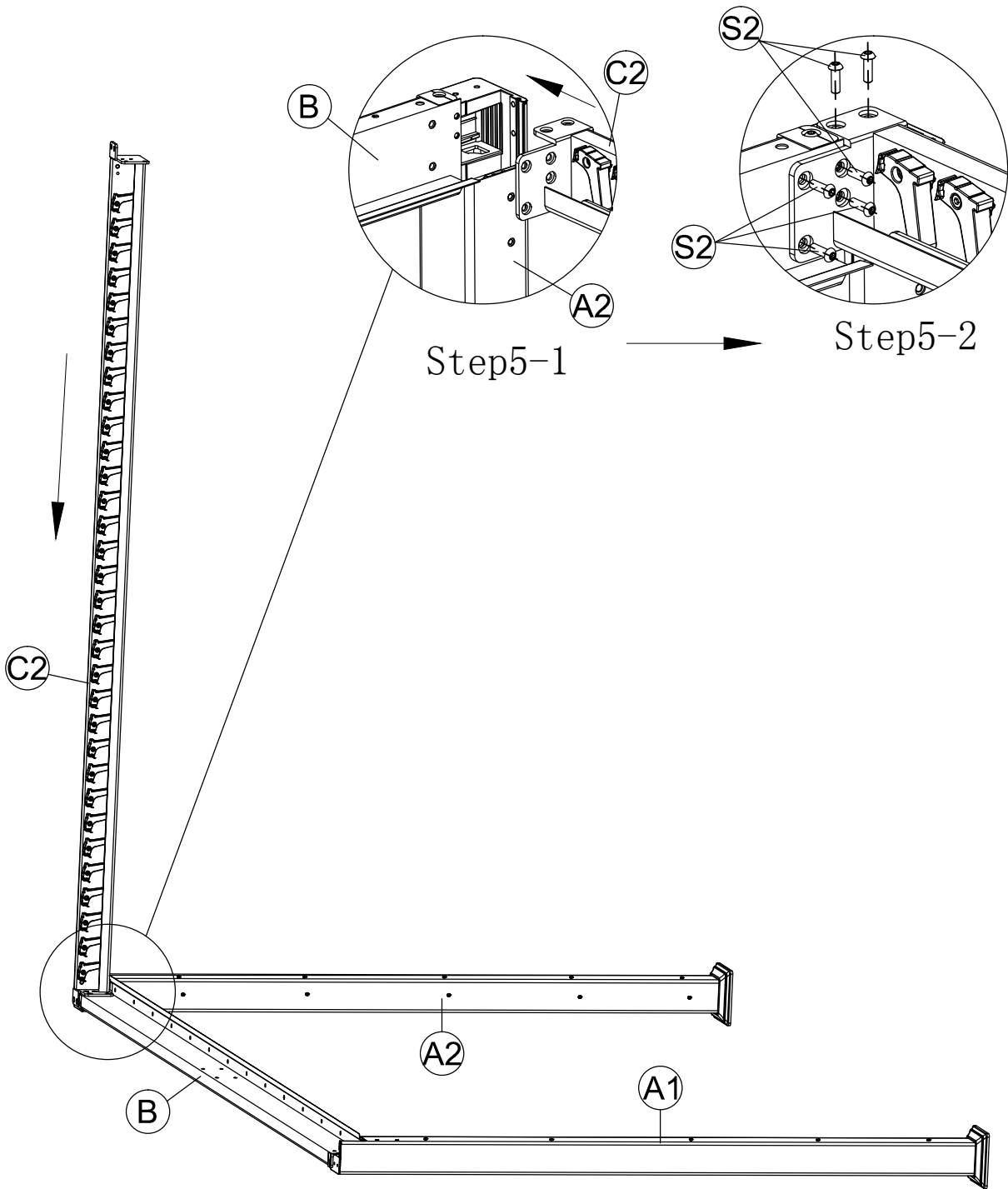
STEP 03



STEP 04



STEP 05

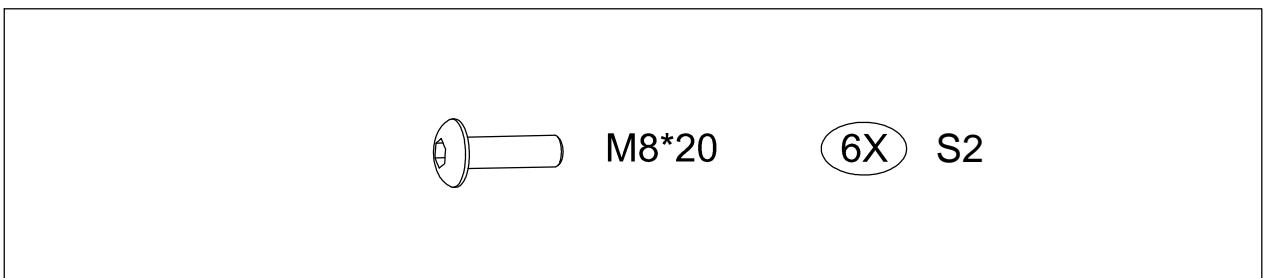
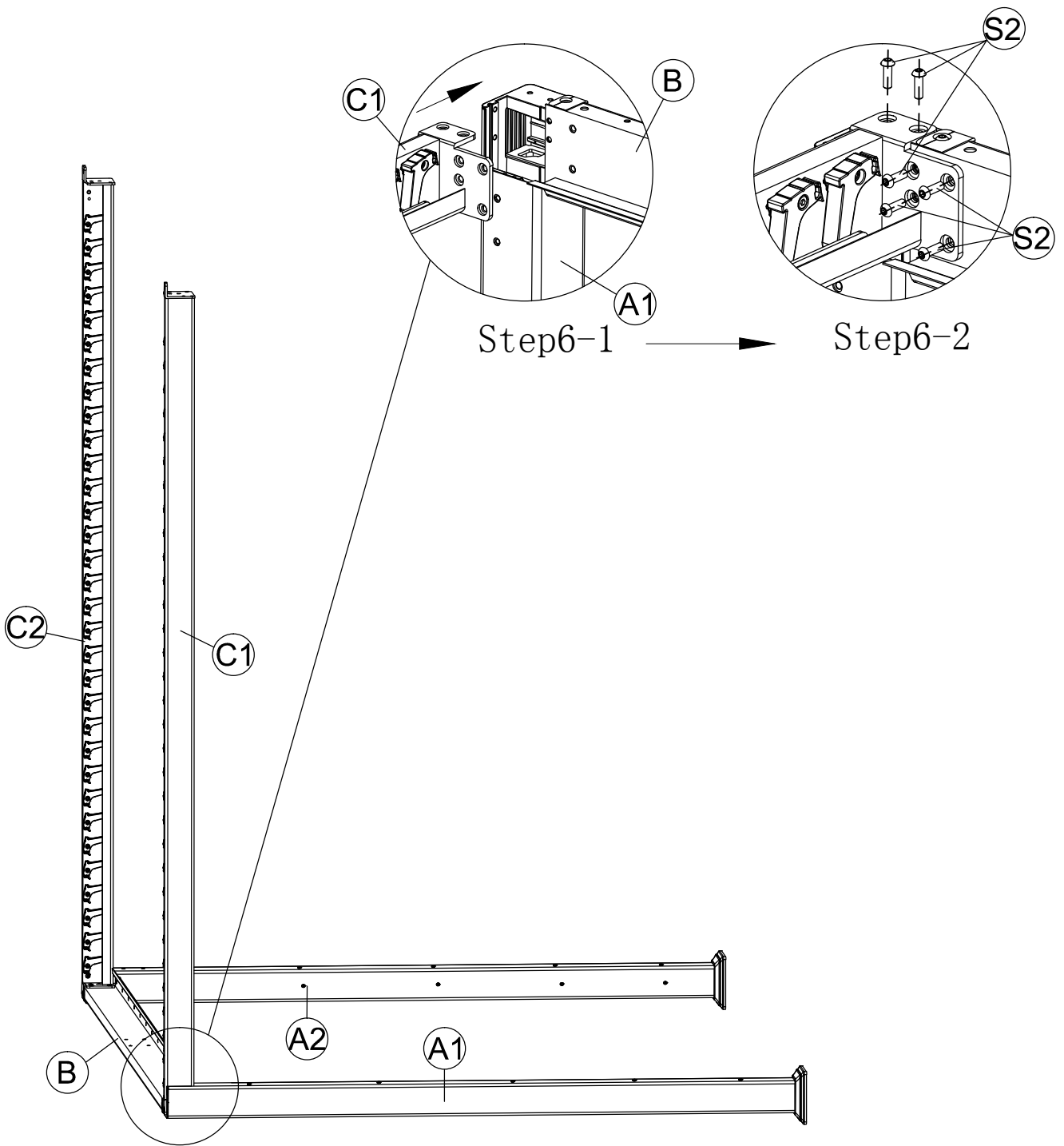


M8*20

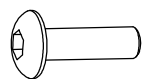
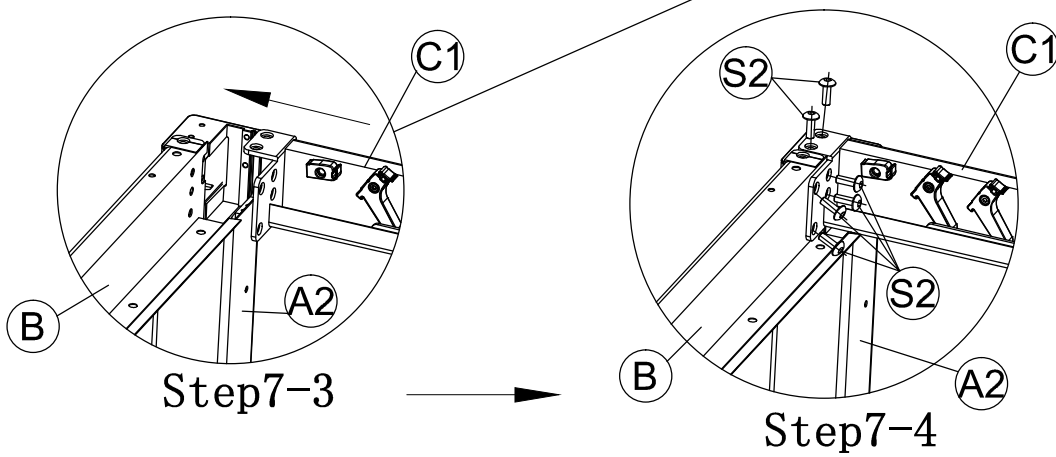
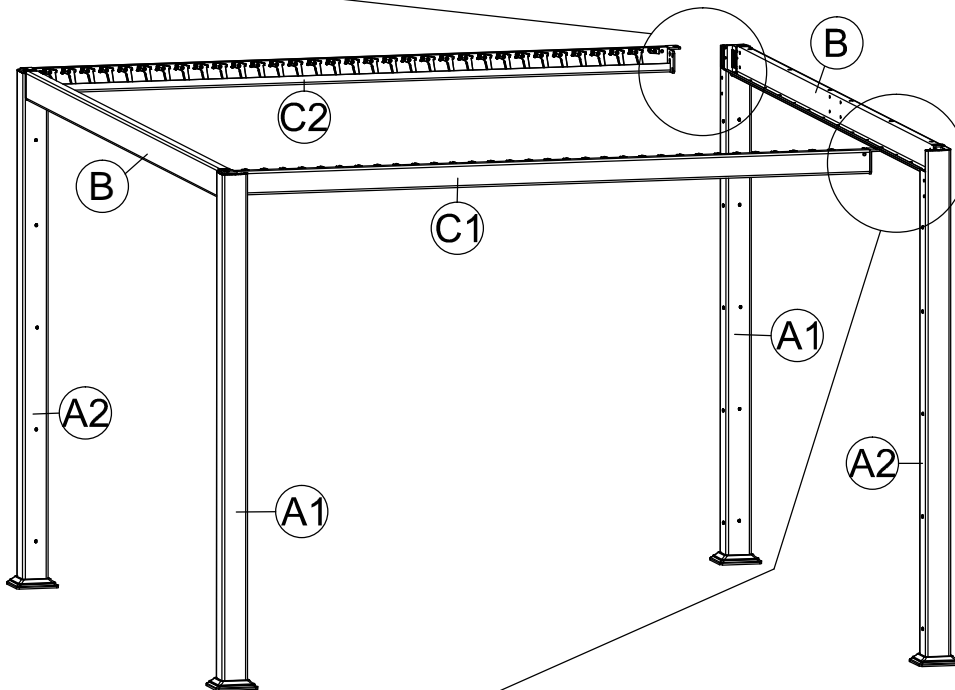
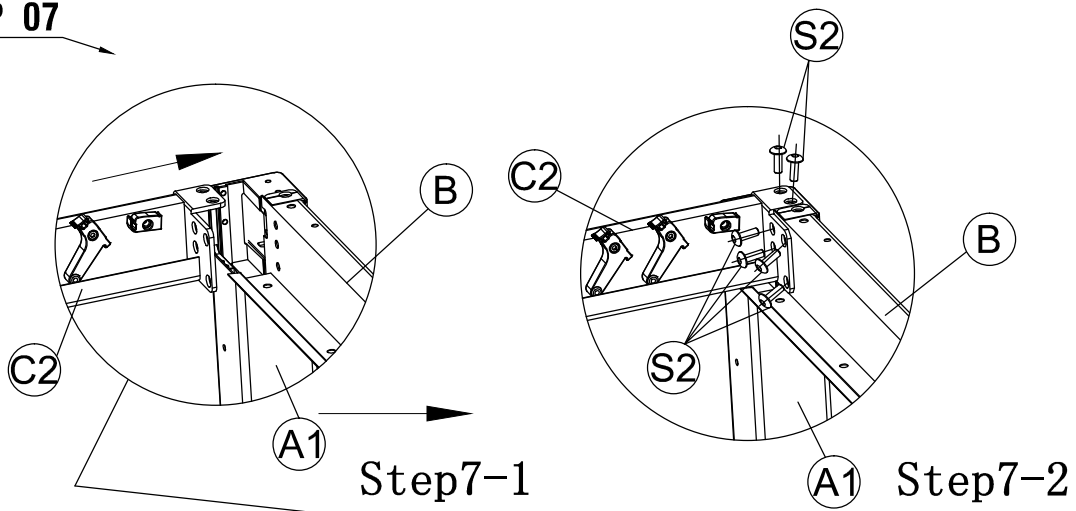
6X

S2

STEP 06



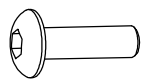
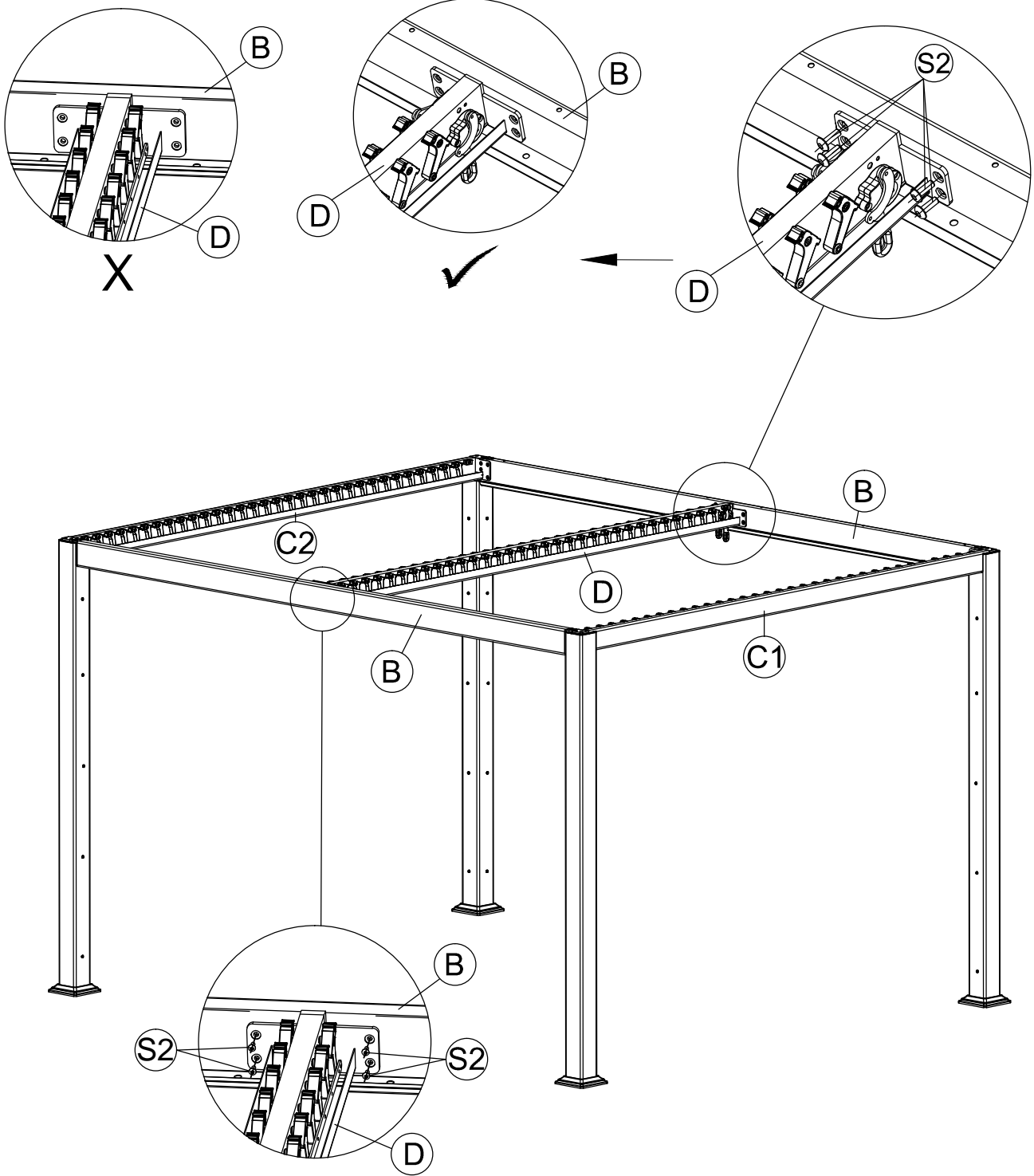
STEP 07



M8*20

(12X) S2

STEP 08

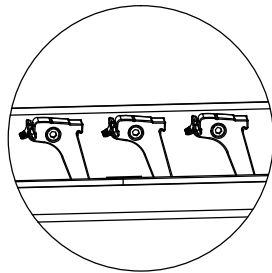


M8*20

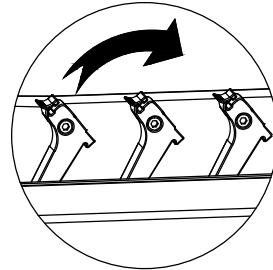
8X

S2

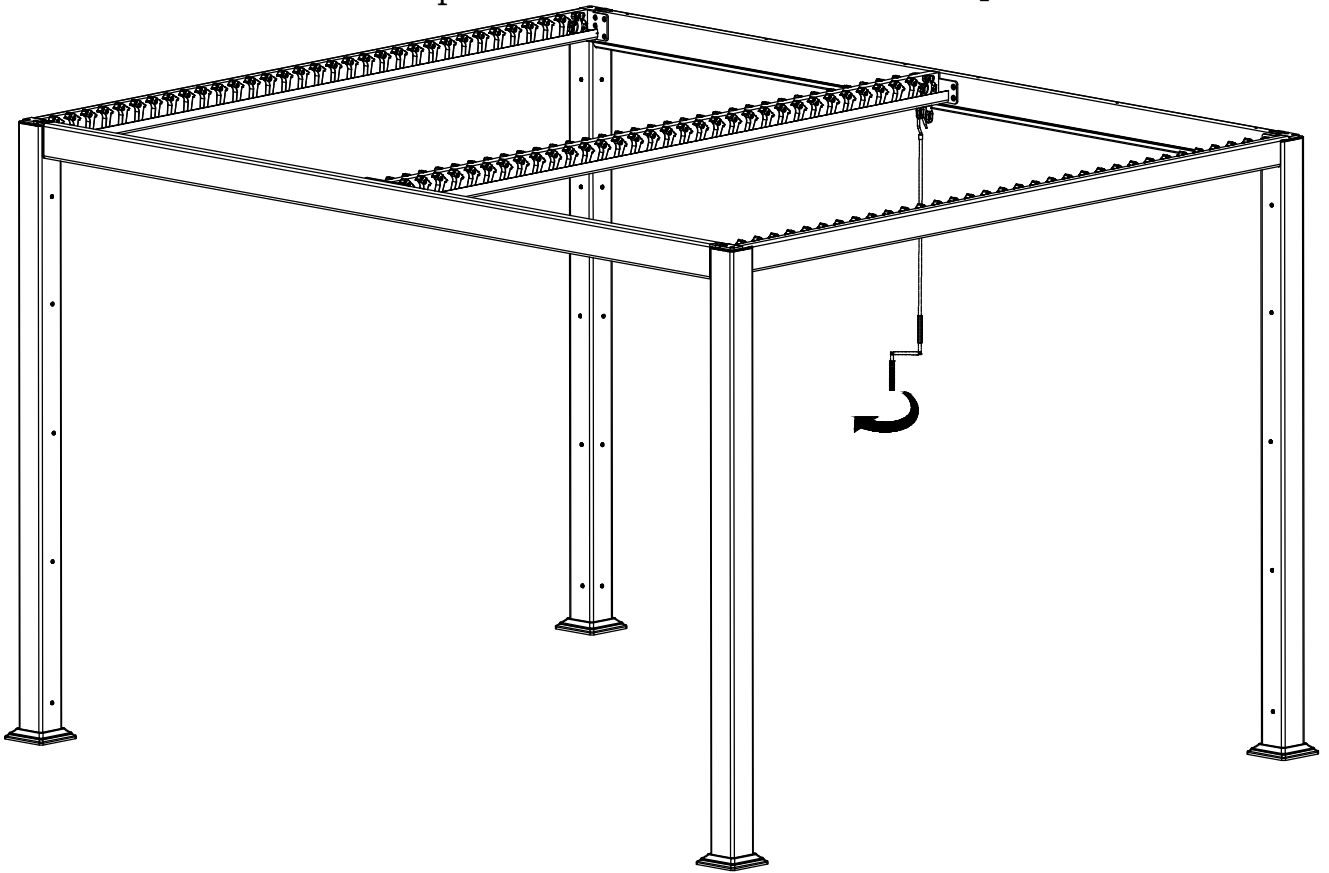
STEP 09



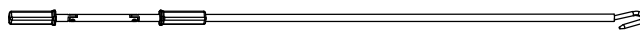
Step9-1



Step9-2

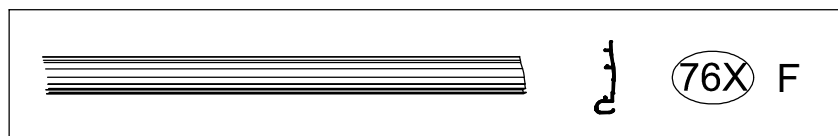
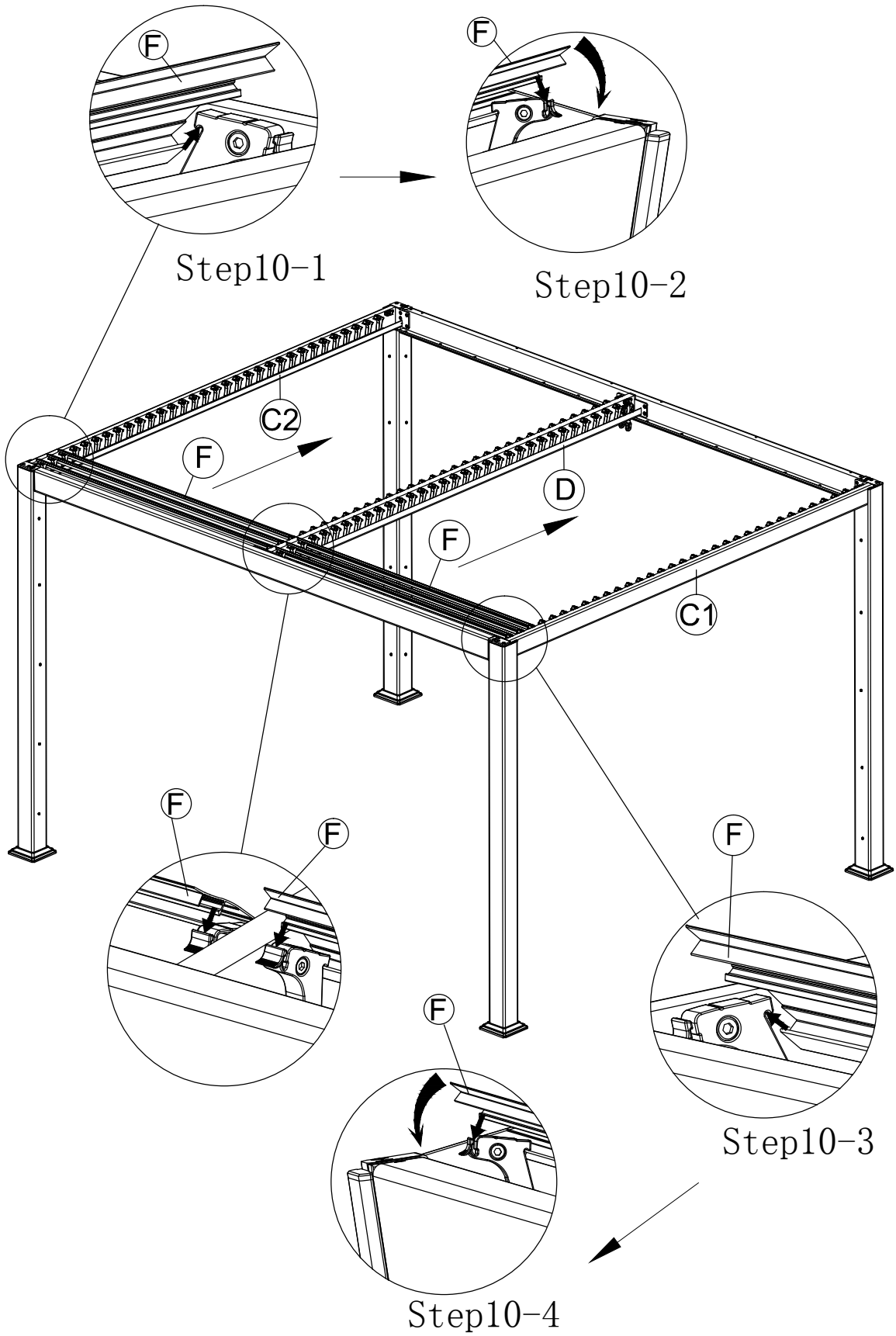


Turn the position from picture 1 to picture 2 first, then assemble the shutter.

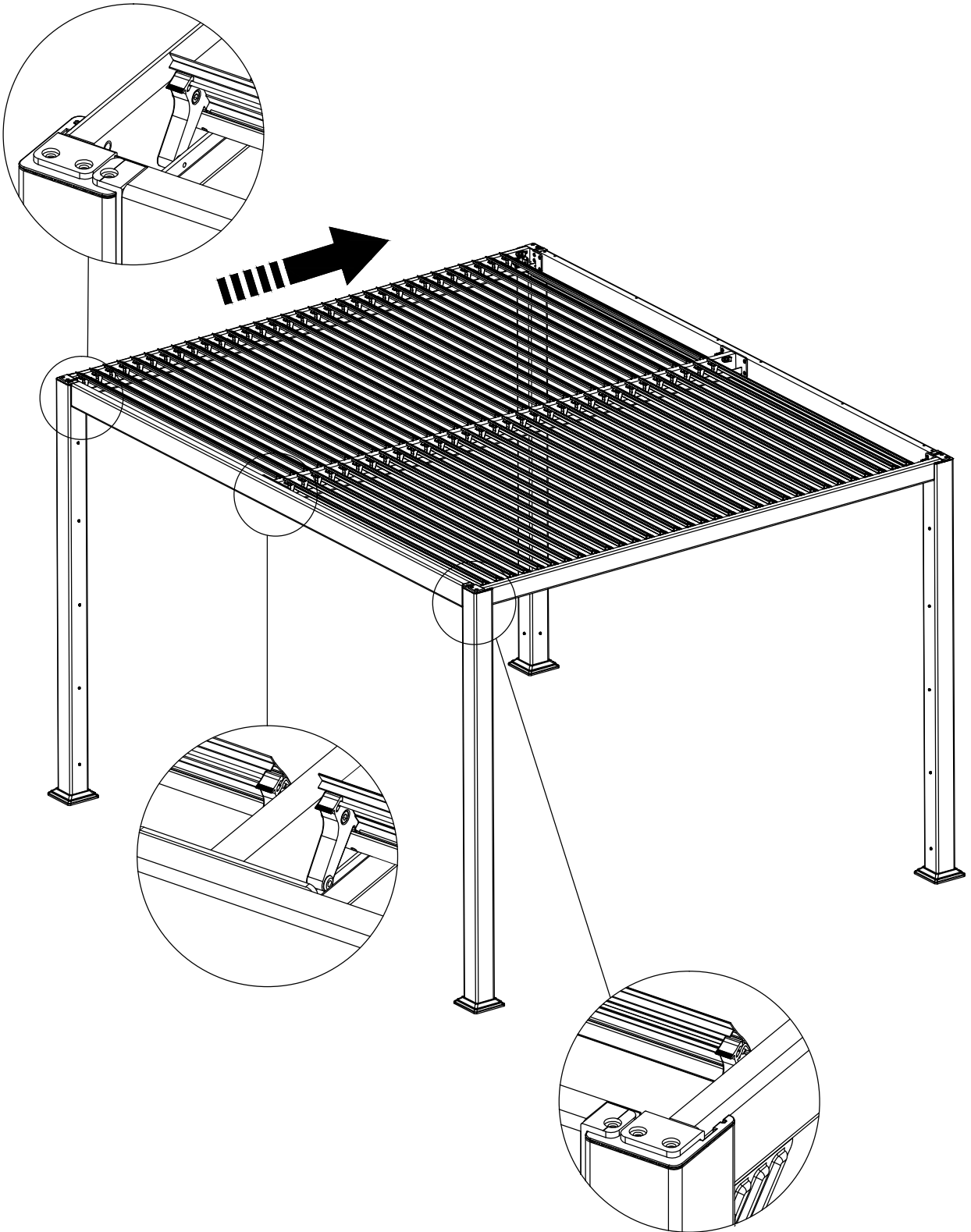


1X R

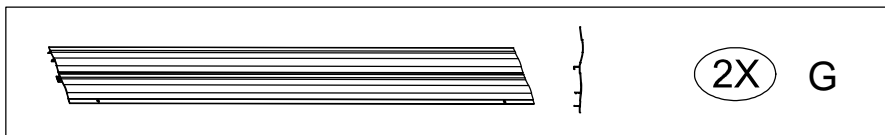
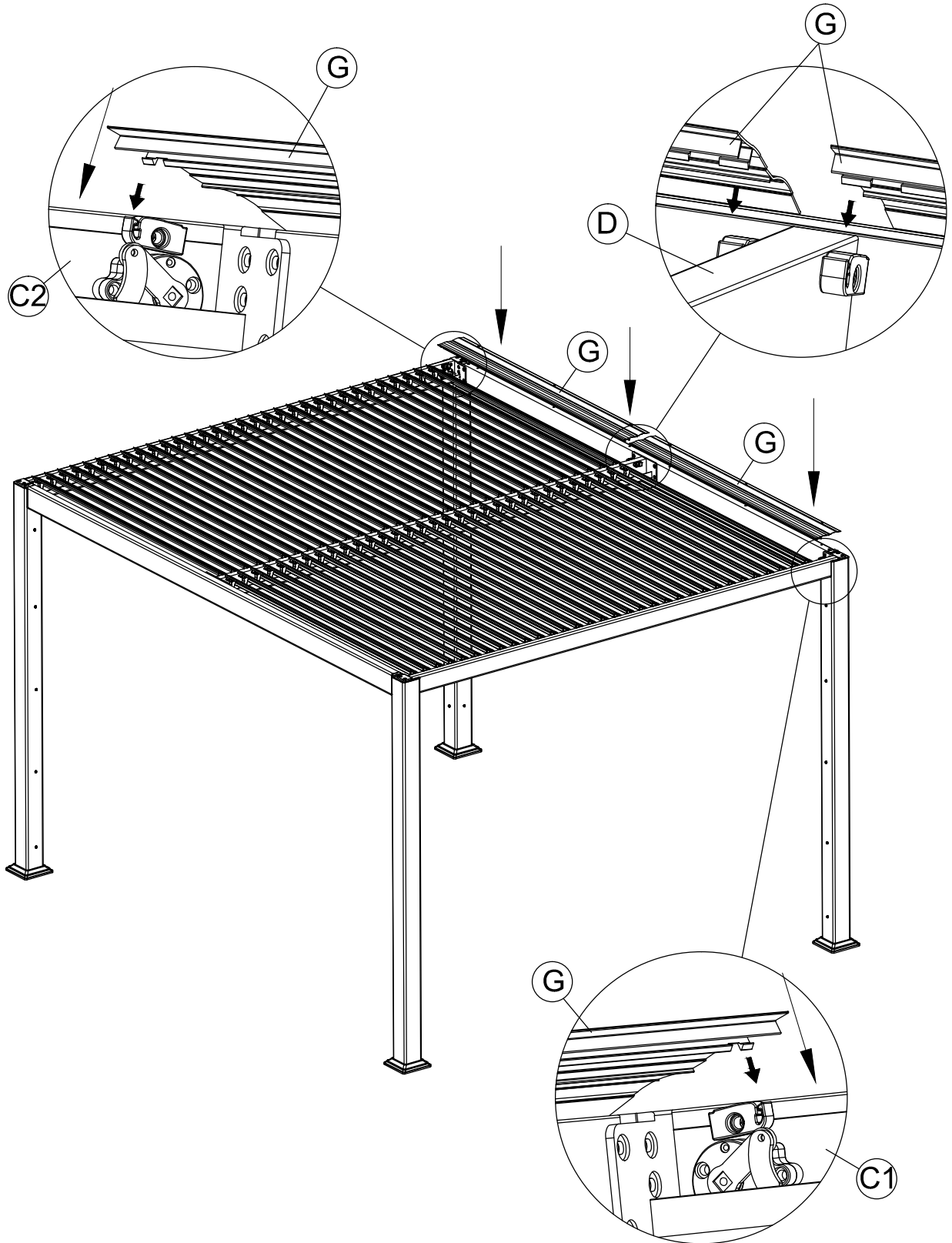
STEP 10



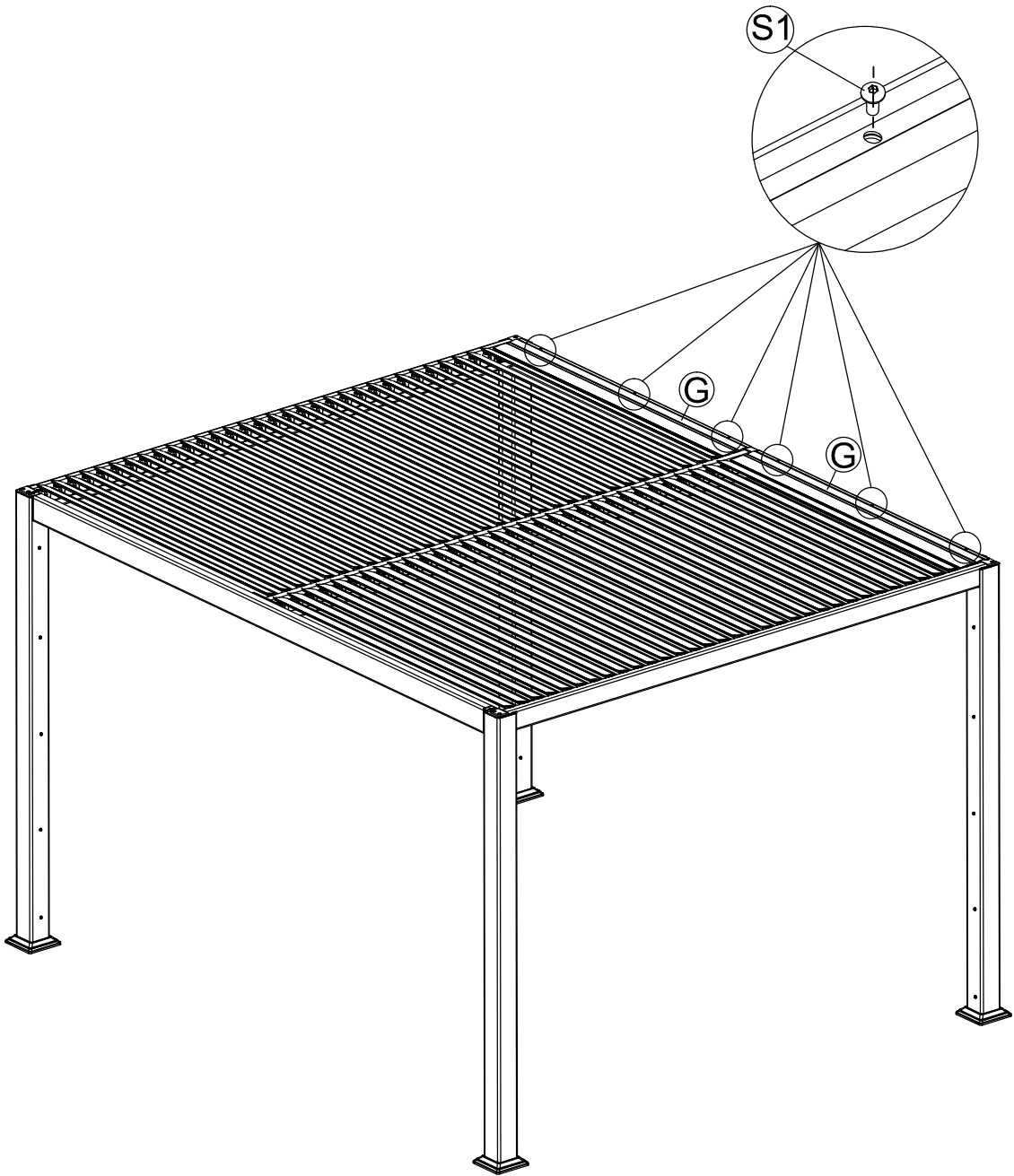
STEP 11



STEP 12



STEP 13

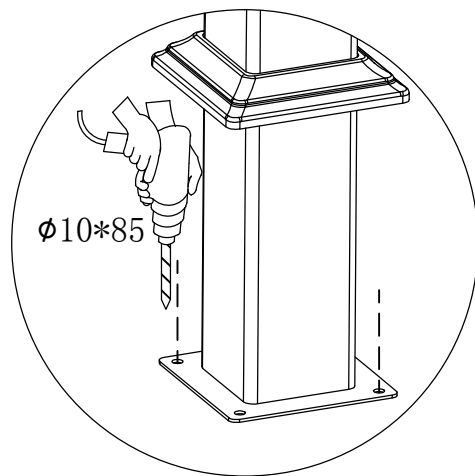
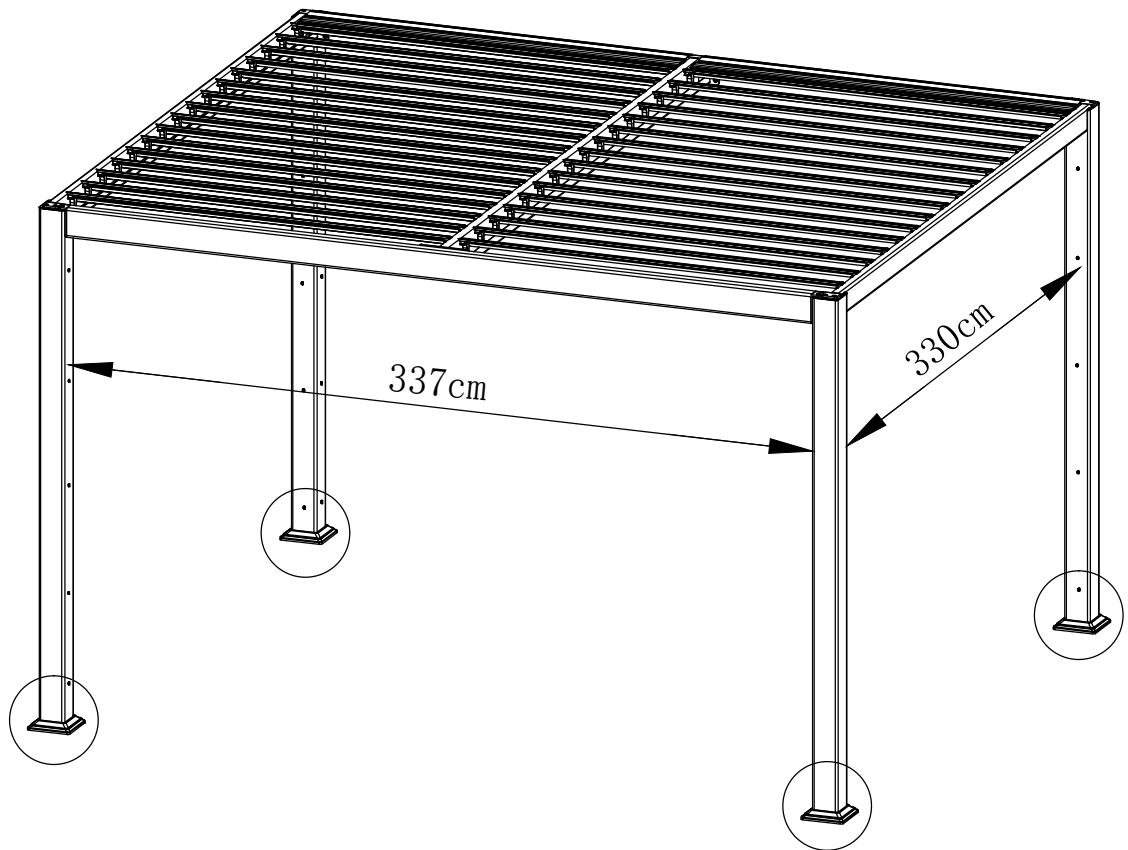


M6*15

6X

S1

STEP 14



STEP 15

