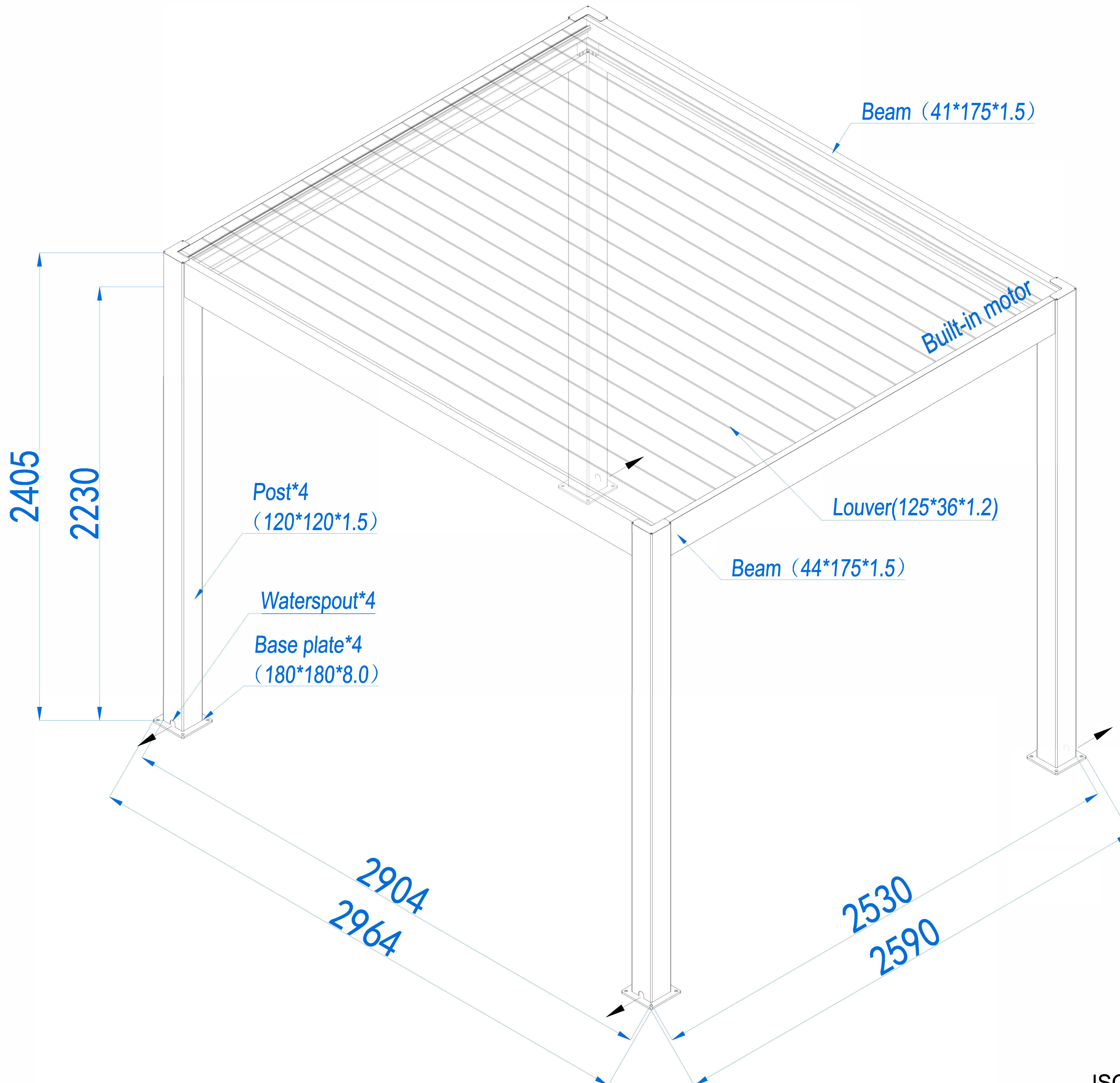


Motorized BIO-MOSA Sized 3m Length x 2.5m Projection x 2.405m Height



ISOMETRIC VIEW

Build Your Pergola

CLIENT

COORDINATOR

DESIGNER

Evan

DRAWING VERSION

V0

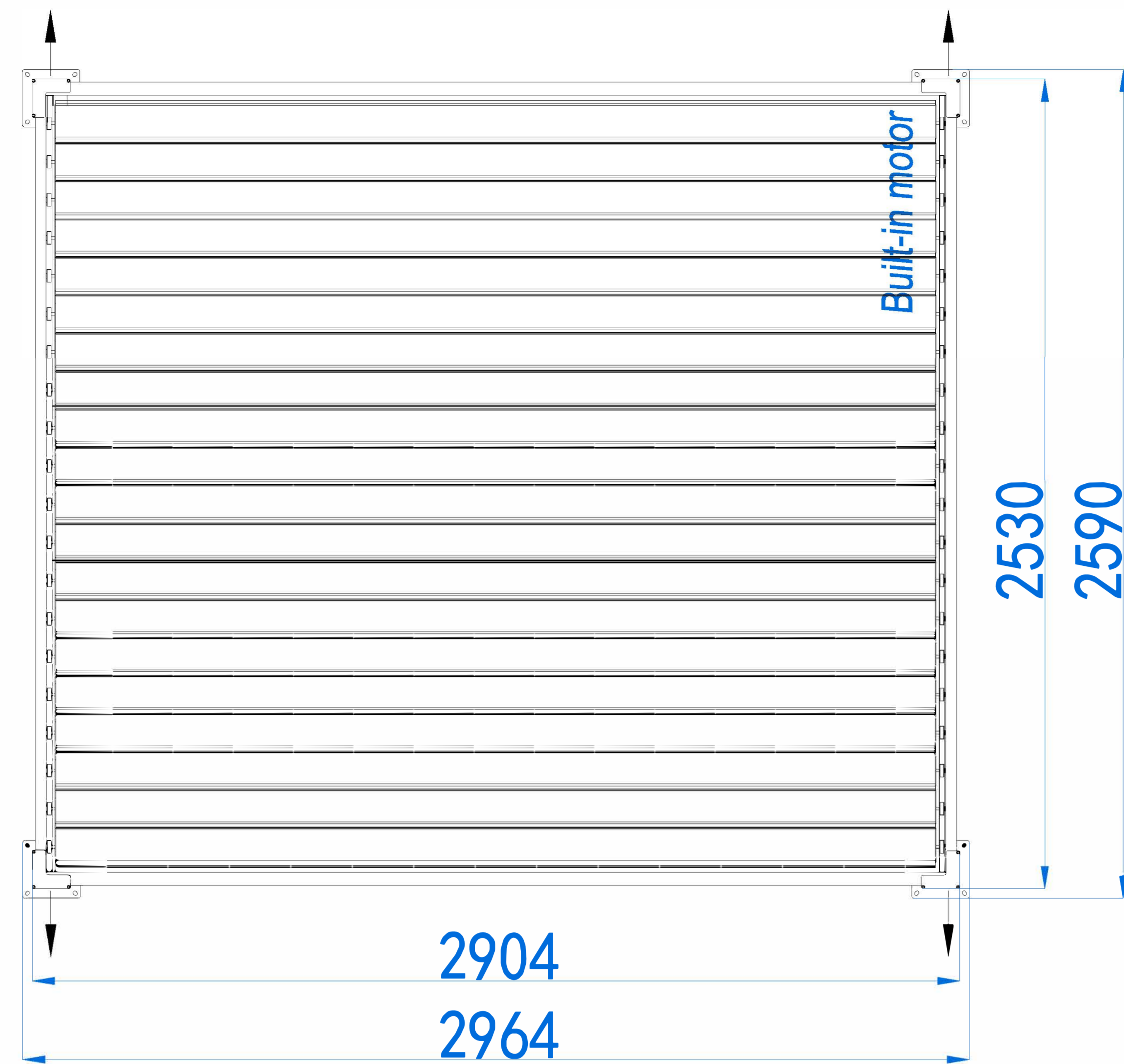
DATE

2024-05-13

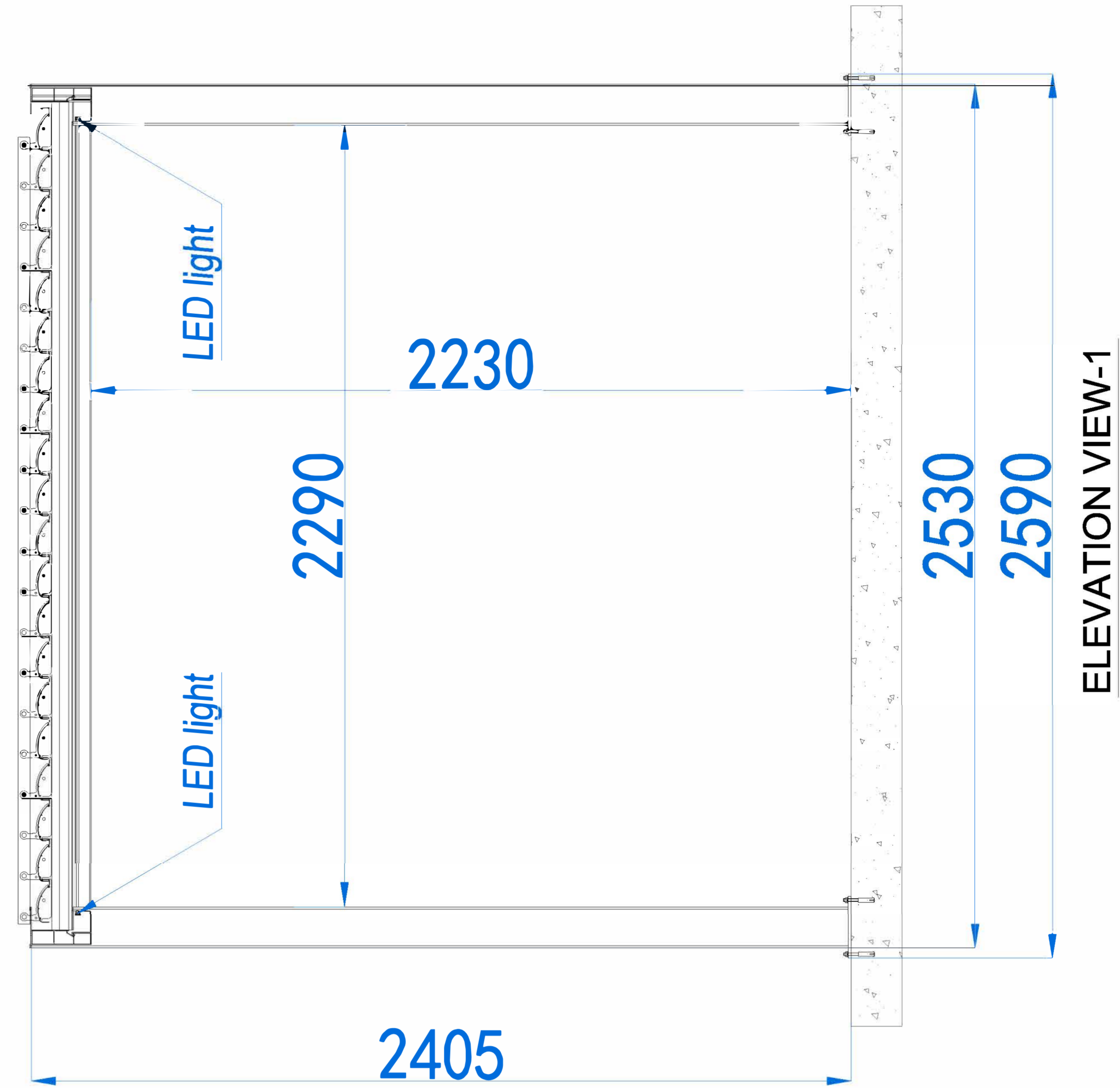
SIGNATURE

NOTE: Please double check the dimensions before signing. Production is based on the signed document and cannot be amended once production begins. Any amendment to the design after approval is subject to a minimum charge of \$500.

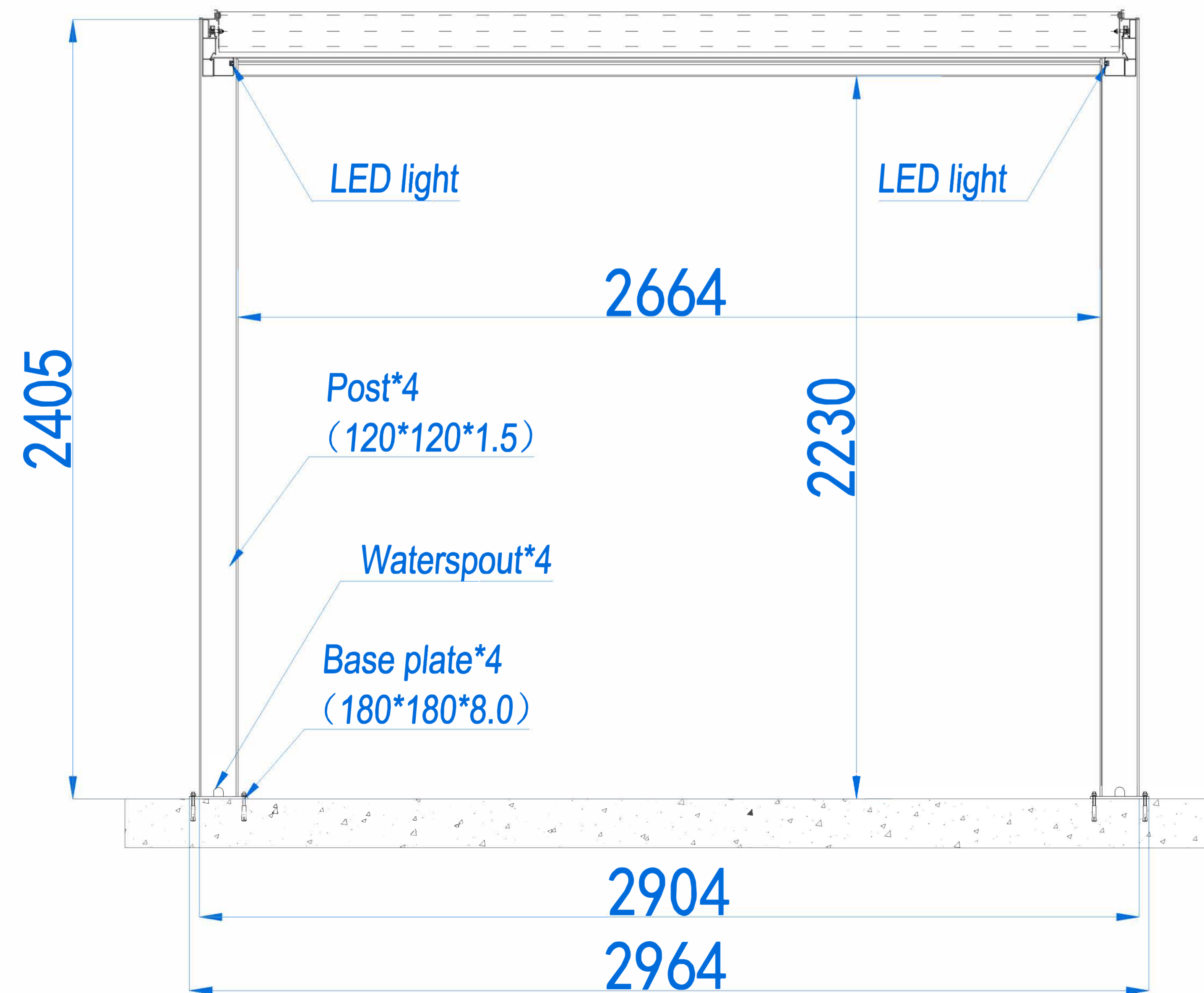
Motorized BIO-MOSA Sized 3m Length x 2.5m Projection x 2.405m Height



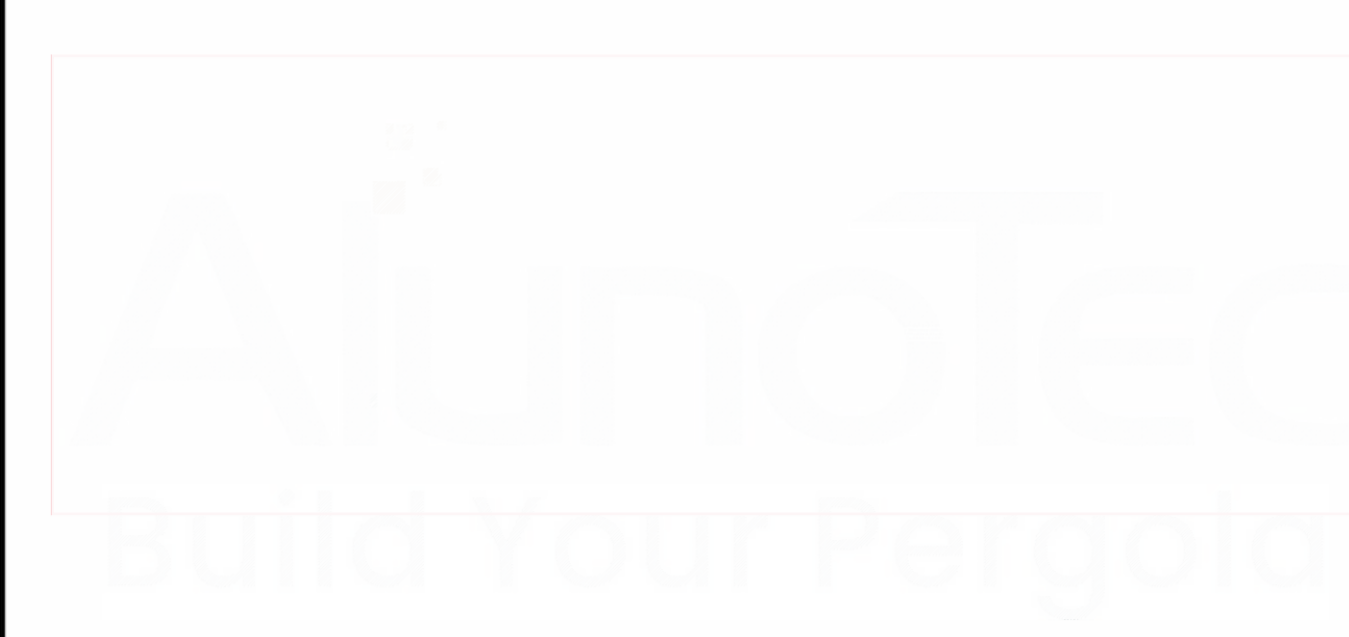
PLAN VIEW



ELEVATION VIEW-1



ELEVATION VIEW-2



CLIENT

COORDINATOR

DESIGNER

Evan

DRAWING VERSION

V0

DATE

2024-05-13

SIGNATURE

NOTE: Please double check the dimensions before signing. Production is based on the signed document and cannot be amended once production begins. Any amendment to the design after approval is subject to a minimum charge of \$500.